

TAILOR-MADE⁺

STANDARD PRODUCT DATA SHEETS

TAILOR-MADE⁺

KITCHEN

Kitchen Countertop

Standard kitchen worktop

Kitchen Island Countertop

Island worktop with overhang

Kitchen Island Waterfall

Island worktop with waterfall

Kitchen Solid Countertop

12 mm & 20 mm solid worktop

Countertop configurable options

Cut-outs, integrated sinks & tap holes

Kitchen Breakfast Bar

Wall-mounted breakfast bar

Kitchen Shelf

Wall-mounted configurable shelf unit

Tableware

Luxury serving tray & coaster set

BATHROOM

Gemini

Surface-mounted single washbasin

Libra

Wall-mounted single washbasin

Capricorn

Wall-mounted double washbasin

Scorpio

Double trough wall-mounted washbasin

Leo

Wall-mounted washbasin

Vanity Top

Wall-mounted vanity top for vessel basin

Vanity Top with Cut-out

Vanity top for drop-in basin

Vanity Shelf

Configurable wall-mounted vanity shelf

Globo

Bathroom storage unit

Venus

Free-standing single washbasin

Saturn

Luxury free-standing double basin

Mercury

Free-standing trough washbasin

Bathroom Mirror

Three dimensional vanity mirror

Shower Tray

Low profile tray with drainage system

PLINTHS / SEATING

Quad

Four-sided rectangular plinth

Cone

Four-sided cone plinth

Tori

Occasional seating unit

Hexa

Six-sided plinth

Polygon

24-sided low plinth

CUT-TO-SIZE

Cut-to-size

Custom cut-to-size service

Cut-to-shape

Custom shapes & profile service

Material Costs

Formats, sizes & prices

Request Form

Cut-to-size & cut-to-shape orders

Kitchen Splashback/Upstand

Custom size splashback or upstand

Nosing Steps

Configurable tread nosing

Floating Treads

Custom tread cladding

Skirting

Configurable skirting board

ADDITIONAL INFORMATION

Composite Structure

Fabrication information

Product

Preparation, fixing & plumbing

Ordering

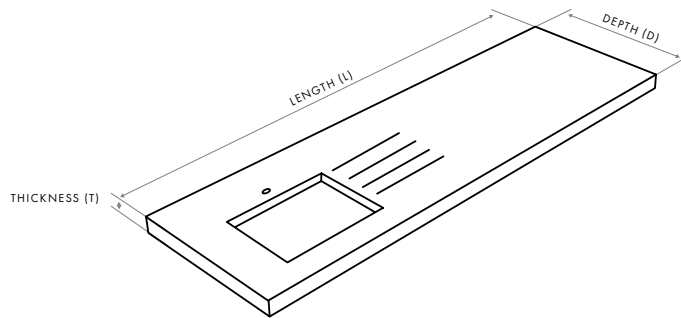
Process & lead time

CONTACT

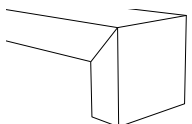
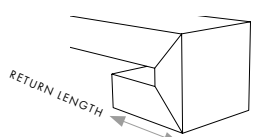
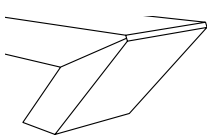
Contact Details

Contact us for more information

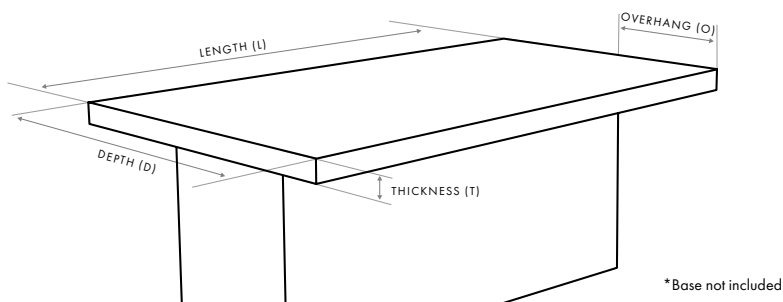
TAILOR-MADE⁺



SPECIFICATION

Item	Kitchen Countertop		
Description	Standard kitchen worktop		
Colour	TM⁶ Collection (190 Colours)	TM¹² Collection (35 Colours)	TM²⁰ Collection (9 Colours)
Base price	£640.00 per linear metre	£720.00 per linear metre	£800.00 per linear metre
Price premium (per linear metre)	Stone (Polished) £80.00 Marble (Natural) £80.00 Marble (Polished) £120.00 Marble (Honed) £120.00	Marble (Natural) £80.00 Marble (Polished) £120.00 Marble (Honed) £120.00	Marble (Natural) £120.00 Marble (Polished) £170.00
Approximate weight	26 kg per m ²	40 kg per m ²	56 kg per m ²
Finish	[Natural][Polished][Honed] Availability dependant on chosen surface colour.		
Length (L)	Length (L): ∞ (Lengths > 3000 mm will have a joint)		
Depth (D)	400-650 mm		
Thickness (T)	[30 mm][40 mm][Custom thickness > 40 mm]		
Edge profiles	This countertop is supplied as standard with its front edge finished with a Mitred Apron Return. The Mitred Apron Return and Shark Nose Apron edges are available from 40 mm thickness upwards. Profiles for the side edges can be specified at £80.00 per side.		
Thickness ≥ 30 mm	[Mitred Apron]		
			
Additional cost	N/A		
Thickness ≥ 40 mm	[Mitred Apron Return] *	[Shark Nose Apron]	
			* Minimum return length 20 mm
Additional cost	£40.00 per linear metre	£80.00 per linear metre	
Finished sides	[1 Side] +£80.00	[2 sides] +£160.00	
Installation type	Standard kitchen countertops require level and secure support every 600 mm, around the perimeter frame, under any joints and around cut-outs. Please specify installation type.		
Configurable options	For configurable options including cut-outs, integrated sinks and tap holes please see page 11.		

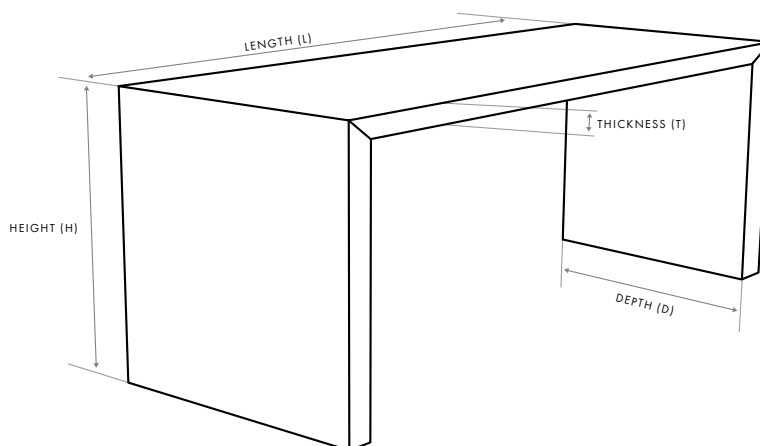
TAILOR-MADE⁺



SPECIFICATION

Item	Kitchen Island Countertop	
Description	Island worktop with overhang	
Colour	TM⁶ Collection (190 Colours)	TM¹² Collection (35 Colours)
Base price	£1440.00 per m ²	£1440.00 per m ²
Price premium (per m²)	Marble (Natural) £100.00 Marble (Polished) £200.00 Marble (Honed) £200.00	Marble (Natural) £200.00 Marble (Polished) £400.00 Marble (Honed) £400.00
Approximate weight	26 kg per m ²	40 kg per m ²
Finish	[Natural][Polished][Honed] Availability dependant on chosen surface colour.	
Length (L)	∞ (maximum of 2900 mm per run with vein matching on each end or 3000 mm without. Lengths > 3000 mm will have a joint)	
Depth (D)	[Custom depth] (Depths > 1500 mm will have a joint)	
Thickness (T)	[≥ 40 mm]	
Overhang (O)	[≤ 700 mm] Available on all four sides.	
Edge profile	Mitred edge. All four sides are finished as well as the underside of any overhangs.	
Configurable options	For configurable options including cut-outs, integrated sinks and tap holes please see page 11.	

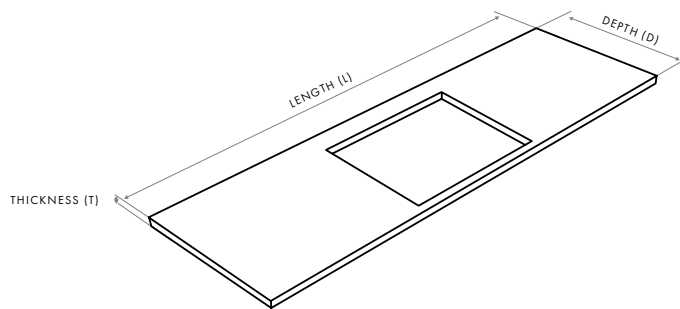
TAILOR-MADE⁺



SPECIFICATION

Item	Kitchen Island Waterfall	
Description	Island worktop with waterfall	
Colour	TM⁶ Collection (190 Colours)	TM¹² Collection (35 Colours)
Base price	£1600.00 per m ²	£1760.00 per m ²
Price premium (per m²)	Marble (Natural) £100.00 Marble (Polished) £200.00 Marble (Honed) £200.00	Marble (Natural) £200.00 Marble (Polished) £400.00 Marble (Honed) £400.00
Approximate weight	26 kg per m ²	40 kg per m ²
Finish	[Natural][Polished][Honed] Availability dependant on chosen surface colour.	
Length (L)	[Custom length] (Lengths > 3000 mm will have a joint)	
Depth (D)	[Custom depth] (Depths > 1500 mm will have a joint)	
Height (H)	[910 mm][Custom height]	
Thickness (T)	[≥ 40 mm]	
Legs	[1][2]	
Edge profile	Mitred edge. All sides and all surfaces are finished, including the underside.	
Configurable options	For configurable options including cut-outs, integrated sinks and tap holes please see page 11.	

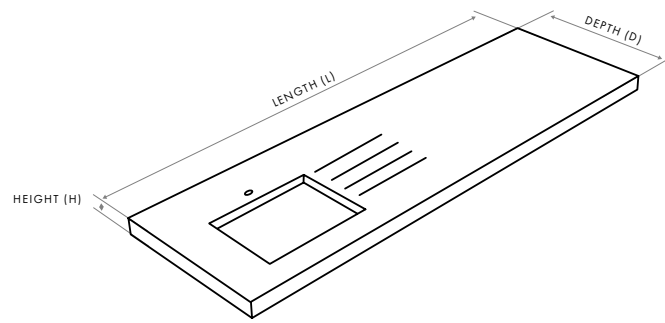
TAILOR-MADE⁺



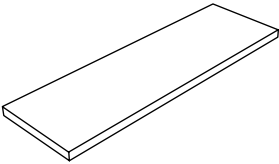
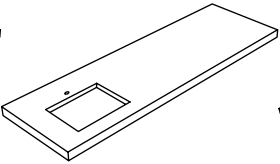
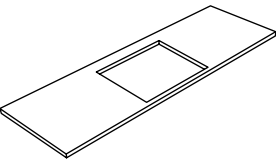
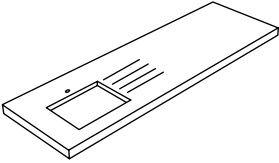
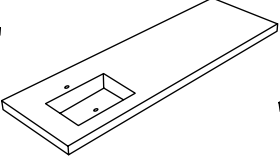
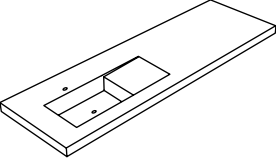
SPECIFICATION

Item	Kitchen Solid Countertop	
Description	12 mm & 20 mm solid worktop	
Colour	TM¹² Collection (35 Colours)	TM²⁰ Collection (9 Colours)
Base price	£340.00 per linear metre	£440.00 per linear metre
Price premium (per linear metre)	Marble (Natural) £80.00 Marble (Polished) £120.00 Marble (Honed) £120.00	Marble (Natural) £120.00 Marble (Polished) £200.00
Thickness (T)	[12 mm]	[20 mm]
Approximate weight	40 kg per m ²	56 kg per m ²
Finish	[Natural][Polished][Honed] Availability dependant on chosen surface colour.	
Length (L)	∞ (max 3200 mm per run)	
Depth (D)	400-650 mm [Custom depth]	
Edge profiles	This countertop is supplied as standard with its front edge profiled. Profiles for side and rear edges can also be specified.	
	[Double Pencil Edge]	[Bevelled Edge]
	[Bullnose Edge]	[Half Bullnose Edge]
	[Double Bevelled Edge]	[Shark Nose Edge]
Finished sides	[1 Side] +£40.00	[2 sides] +£80.00
		[Rear] +£80.00 per linear metre
Configurable options	For configurable options including cut-outs, integrated sinks and tap holes please see page 11.	

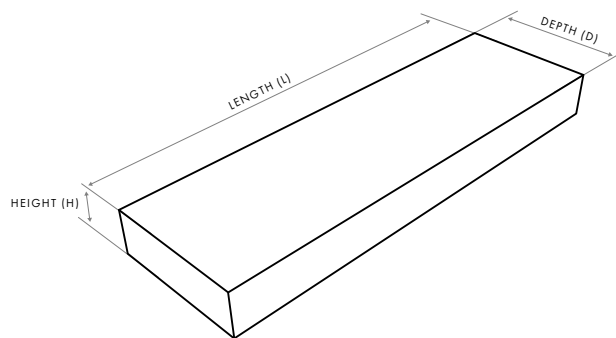
TAILOR-MADE⁺



COUNTERTOP CONFIGURABLE OPTIONS

Cut-outs	[No cut-outs]	[Sink cut-out]	[Hob cut-out]
			
Additional cost	N/A	£80.00 per cut-out	£80.00 per cut-out
No. of cut-outs	[0][1][2][3]		
Dimensions of cut-outs	[Length (BL) x Depth (BD)] Please consult sink or hob manufacturer's specification.		
Options	[Drainer grooves]	[Integrated sink]	[Integrated sink w/drainer]
			
Additional cost	£120.00	£800.00	£1120.00
No. of drainer grooves	[0][4][5][6]		
No. of pre-drilled tap holes	[1][2][3][4] @ £20.00 per tap hole		
Diameter of tap holes	We provide a standard diameter of 35 mm for all tap holes; however we can cut these to any size in order to accommodate your individual needs. Please consult tap specification.		
Distance b/w tap holes	Please consult tap manufacturer's specification.		

TAILOR-MADE⁺



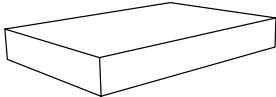
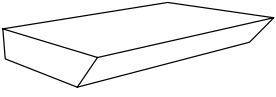
SPECIFICATION

Item	Kitchen Breakfast Bar
Description	Wall-mounted breakfast bar
Dimensions (mm)	Length (L): 700-3000 Height (H): 50-100 Depth (D): 300-600
List price	£1150.00 per linear metre
Approximate weight (will be confirmed)	20-30 kg per linear metre

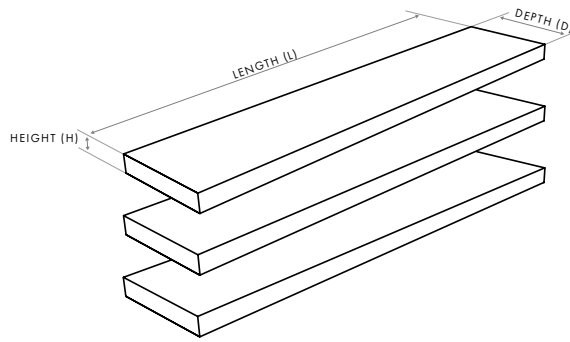
OPTIONS

Colour	TM⁶ Collection (190 Colours)	TM¹² Collection (35 Colours)
Finish	[Natural] [Polished] [Honed] Availability dependant on chosen surface colour.	
Profile	This item is supplied with a Mitred edge.	
Grout colour	Corresponding grout colour will be recommended by our design technicians based on surface colour and will be documented in the technical drawing supplied.	

FRONT FACE CONFIGURATION

Front face	[Vertical]	[Decline]
		
Front face angle	[90°]	[45°] [67.5°]

TAILOR-MADE⁺



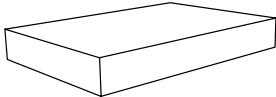
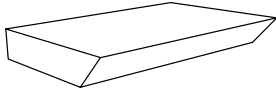
SPECIFICATION

Item	Kitchen Shelf	
Description	Wall-mounted configurable shelf unit	
Colour	TM⁶ Collection (190 Colours)	TM¹² Collection (35 Colours)
Finish	[Natural] [Polished] [Honed] Availability dependant on chosen surface colour.	
List price	£700.00 per linear metre	£800.00 per linear metre
Dimensions (mm) (tolerance ±2 mm)	Length (L): 700-3000 Height (H): 30-50 Depth (D): 200-350	
Approximate weight (will be confirmed)	15 kg per linear metre	

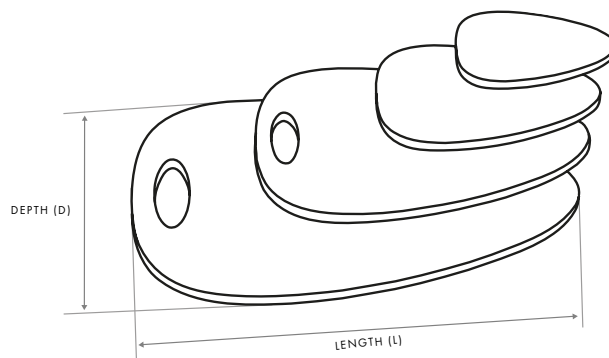
OPTIONS

Profile	This item is supplied with a Mitred edge.	
Grout colour	Corresponding grout colour will be recommended by our design technicians based on surface colour and will be documented in the technical drawing supplied.	
No. of shelves	[0] [1] [2] [3] [4] [5] [6] []	





FRONT FACE CONFIGURATION

Front face	[Vertical]	[Decline]
		
Front face angle	[90°]	[45°] [67.5°]

TAILOR-MADE⁺



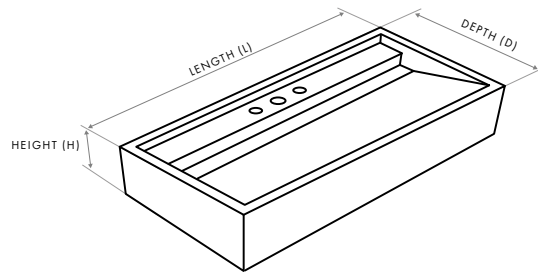
SPECIFICATION

Item	Tableware			
Description	Luxury serving tray & coaster set			
Model	Coaster	Small Tray	Medium Tray	Large Tray
				
Product code	TABLEWARE-COAST	TABLEWARE-TRYSML	TABLEWARE-TRYMED	TABLEWARE-TRYLRG
Dimensions (mm) (tolerance ±2 mm)	Length (L): 120 Depth (D): 90	200 145	300 217	400 290
List price	Set of four @ £160.00	£60.00 ea.	£90.00 ea.	£120.00 ea.
Approximate weight (will be confirmed)	0.25 kg	0.45 kg	0.55 kg	0.65 kg
Thickness	6 mm			
Tableware 12 piece set	(4 coasters, 4 small, 2 medium, 2 large) £560.00 (Product Code: TABLEWARE-12PCS)			
Tableware 24 piece set	(6 coasters, 6 small, 6 medium, 6 large) £1400.00 (Product Code: TABLEWARE-24PCS)			

OPTIONS

Colour	TM ⁶ Collection (190 Colours)
Finish	[Natural] [Polished] [Honed] Availability dependant on chosen surface colour.
Bottom face	Rubber pad

TAILOR-MADE⁺



SPECIFICATION

Item	Gemini	
Description	Surface-mounted single washbasin	
Model	Gemini Junior	Gemini Max
Dimensions (mm) (tolerance ±2 mm)	Length (L): 450-750 Height (H): 120-150 Depth (D): 400-500	Length (L): 751-1200 Height (H): 120-150 Depth (D): 400-600
Base price	£1500.00	£2000.00
Approximate weight (will be confirmed)	30 kg	45 kg

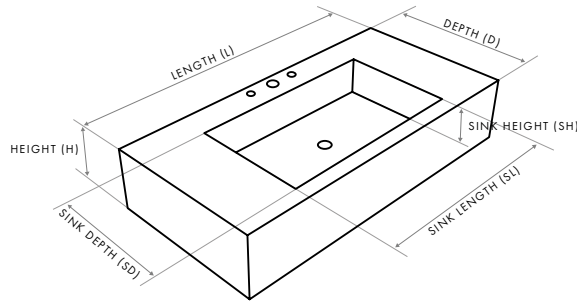
OPTIONS

Colour	TM ⁶ Collection (190 Colours)
Finish	[Natural] [Polished] [Honed] Availability dependant on chosen surface colour.
Grout colour	Corresponding grout colour will be recommended by our design technicians based on surface colour and will be documented in the technical drawing supplied.

CONFIGURATION

Installation type	Surface-mounted	
Base type	[Fixed straight base]	[Fixed sloping base]
Waste	[Chrome (no cost)] [Black (+£80)] [Brass (+£80)]	Hidden waste
Tap mounting position	[Wall-mounted] [Surface-mounted] For surface-mounted installations, please provide the make and model of the chosen tap system.	
No. of pre-drilled tap holes	[1] [2] [3] [4] @£20 per hole. Please consult tap manufacturer's specification.	
Diameter of tap holes	We provide a standard diameter of 35 mm for all tap holes; however we can cut these to any size in order to accommodate your individual needs.	
Distance b/w tap holes	Please consult tap manufacturer's specification.	

TAILOR-MADE⁺



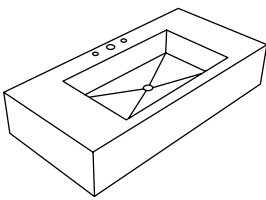
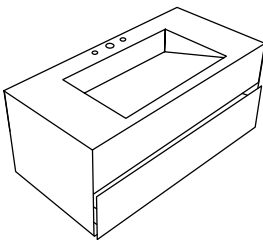
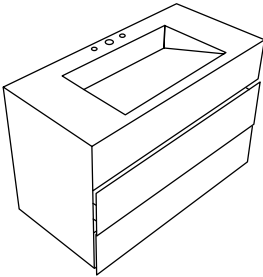
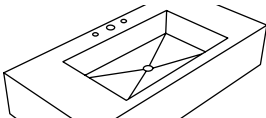
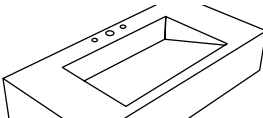
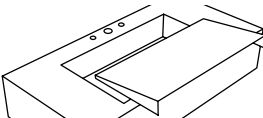
SPECIFICATION

Item	Libra	
Description	Wall-mounted single washbasin	
Model	Libra Junior	Libra Max
Dimensions (mm) (tolerance ±2 mm)	Length (L): 450-650 Height (H): 120-200 or 350-700 w/storage Depth (D): 400-550	Length (L): 651-950 Height (H): 120-200 or 350-700 w/storage Depth (D): 350-600
Base price	£1600.00	£2300.00
Approximate weight (will be confirmed)	30-40 kg	50-60 kg

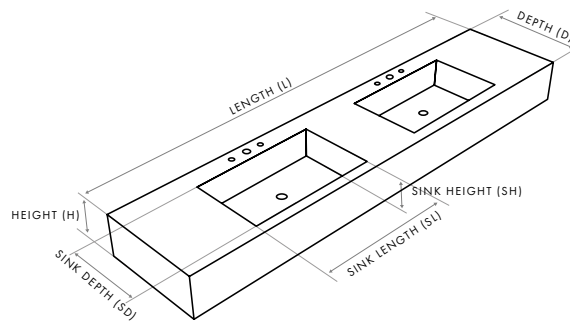
OPTIONS

Colour	TM ⁶ Collection (190 Colours)
Finish	[Natural] [Polished] [Honed] Availability dependant on chosen surface colour.
Grout colour	Corresponding grout colour will be recommended by our design technicians based on surface colour and will be documented in the technical drawing supplied.

CONFIGURATION

Storage Options	[None]	[Single Drawer] +£2000.00	[Double Stacked Drawer] +£2800.00
			
Base type	[Fixed straight base]	[Fixed sloping base]	[Removable base (+£80)]
			
Waste	[Chrome (no cost)] [Black (+£80)] [Brass (+£80)]	Hidden waste	Hidden waste
Tap mounting position	[Wall-mounted] [Surface-mounted] For surface-mounted installations, please provide the make and model of the chosen tap system.		
No. of pre-drilled tap holes	[1] [2] [3] [4] @£20 per hole. Please consult tap manufacturer's specification.		

TAILOR-MADE⁺



SPECIFICATION

Item	Capricorn	
Description	Wall-mounted double washbasin	
Model	Capricorn Junior	Capricorn Max
Dimensions (mm) (tolerance ±2 mm)	Length (L): 1400-1800 Height (H): 120-250 or 350-450 w/storage Depth (D): 450-650	Length (L): 1801-2200 Height (H): 120-250 or 350-450 w/storage Depth (D): 450-650
Base price	£3600.00	£4000.00
Approximate weight	45-65 kg	45-65 kg

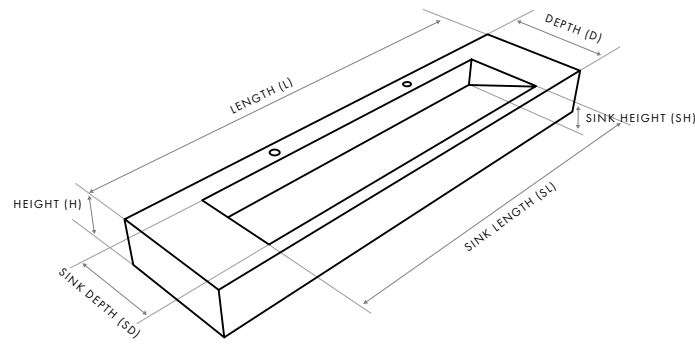
OPTIONS

Colour	TM ⁶ Collection (190 Colours)
Finish	[Natural] [Polished] [Honed] Availability dependant on chosen surface colour.

CONFIGURATION

Storage Options	[None]	[Single Drawer] +£2400.00	[Single Shelf] +£2400.00
	[Double Drawer] +£3300.00	[Drawer & Shelf] +£3300.00	[Triple Drawer] +£4200.00
Base type	[Fixed straight base]	[Fixed sloping base]	[Removable base (+£160)]
Waste	[Chrome (no cost)] [Black (+£80)] [Brass (+£80)]	Hidden waste	Hidden waste
Cavity or Recess	Max models can be specified with a recess suitable for storing hand towels and toiletries or a cavity /opening for storage buckets, laundry baskets or waste bins @£500.00 per cavity.		
Tap mounting position	[Wall-mounted] [Surface-mounted] For surface-mounted installations, please provide the make and model of the chosen tap system.		
No. of drilled tap holes	[1] [2] [3] [4] @£20 per hole. Please consult tap manufacturer's specification.		

TAILOR-MADE⁺



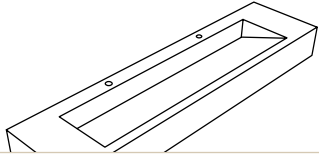
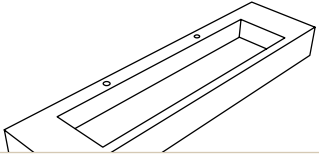
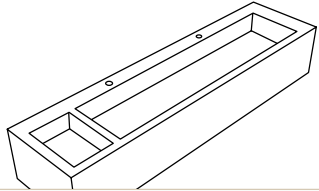
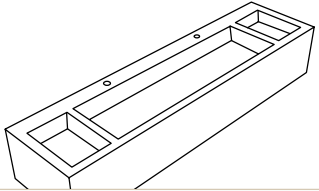
SPECIFICATION

Item	Scorpio	
Description	Double trough wall-mounted washbasin	
Model	Scorpio Junior	Scorpio Max
Dimensions (mm) (tolerance ±2 mm)	Length (L): 1200-1500 Height (H): 200-350 Depth (D): 450-650	Length (L): 1501-2200 Height (H): 200-400 Depth (D): 450-650
List price	£3600.00	£4000.00
Approximate weight (will be confirmed)	50 kg	70-90 kg

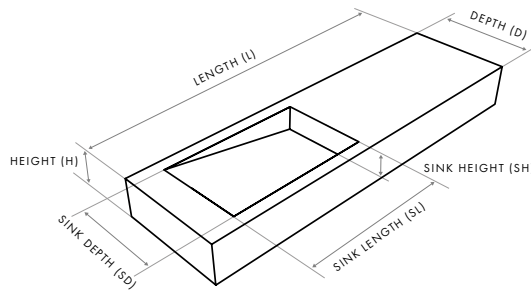
OPTIONS

Colour	TM ⁶ Collection (190 Colours)
Finish	[Natural] [Polished] [Honed] Availability dependant on chosen surface colour.

CONFIGURATION

Base type	[Fixed sloping base]	[Fixed straight base]
		
Waste	Hidden Waste	[Chrome (no cost)] [Black (+£80)] [Brass (+£80)]
Cavity or Recess	Max models can be specified with a recess suitable for storing hand towels and toiletries or a cavity /opening for storage buckets, laundry baskets or waste bins @£500.00 per cavity.	
		
Tap mounting position	[Wall-mounted] [Surface-mounted] For surface-mounted installations, please provide the make and model of the chosen tap system.	
No. of pre-drilled tap holes	[1] [2] [3] [4] @£20 per hole. Please consult tap manufacturer's specification.	
Diameter of tap holes	We provide a standard diameter of 35 mm for all tap holes; however we can cut these to any size in order to accommodate your individual needs.	
Distance b/w tap holes	Please consult tap manufacturer's specification.	

TAILOR-MADE⁺



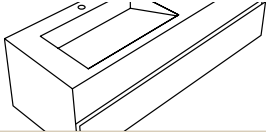
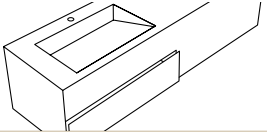
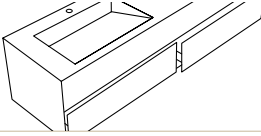
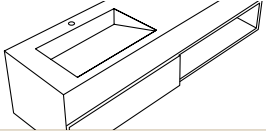
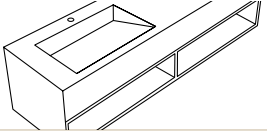
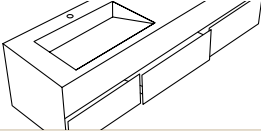

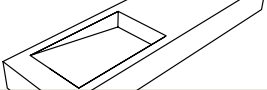
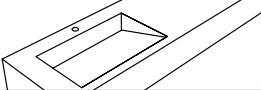
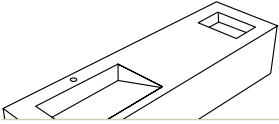
SPECIFICATION

Item	Leo	
Description	Wall-mounted washbasin	
Model	Leo Junior	Leo Max
Dimensions (mm) (tolerance ±2 mm)	Length (L): 1000-1400 Height (H): 120-300 or 350-500 w/storage Depth (D): 450-600	1401-2400 120-300 or 350-500 w/storage 450-600
Base price	£2800.00	£3600.00
Approximate weight (will be confirmed)	40-50 kg	60-70 kg

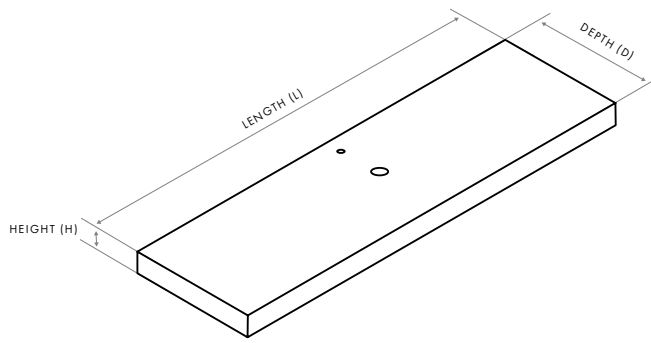
OPTIONS

Colour	TM ⁶ Collection (190 Colours)
Finish	[Natural] [Polished] [Honed] Availability dependant on chosen surface colour.
Grout colour	Corresponding grout colour will be recommended by our design technicians based on surface colour and will be documented in the technical drawing supplied.

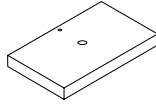
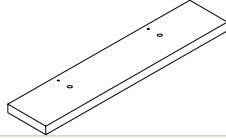
CONFIGURATION

Storage Options	[Junior w/Single Drawer] +£2400.00	[Max w/Single Drawer] +£2400.00	[Double Drawer] +£3300.00
			
	[Drawer & Shelf] +£3300.00	[Double shelf] +£3300.00	[Triple Shelf] +£4200.00
			
Base type	[Fixed straight base]	[Fixed side sloping base]	[Fixed front sloping base]
			
Waste	[Chrome (no cost)] [Black (+£80)] [Brass (+£80)]	Hidden waste	Hidden waste
Cavity or Recess	Max models can be specified with a recess suitable for storing hand towels and toiletries or a cavity /opening for storage buckets, laundry baskets or waste bins @£500.00 per cavity.		
			
Tap mounting position	[Wall-mounted] [Surface-mounted] For surface-mounted installations, please provide the make and model of the chosen tap system.		
No. of pre-drilled tap holes	[1] [2] [3] [4] @ £20 per hole. Please consult tap manufacturer's specification.		

TAILOR-MADE⁺



SPECIFICATION

Item	Vanity Top	
Description	Wall-mounted vanity top for vessel basin	
		
Model	Vanity Top Junior	Vanity Top Max
Dimensions (mm) (tolerance ±2 mm)	Length (L): 600-1400 Height (H): 50-120 Depth (D): 400-650	1401-2600 50-120 400-650
List price	£1400.00 per linear metre	£1200.00 per linear metre
Waste/Tap holes	£20.00 per hole	
Approximate weight	15 kg per linear metre	

OPTIONS

Colour	TM ⁶ Collection (190 Colours)
Finish	[Natural] [Polished] [Honed] Availability dependant on chosen surface colour.
Grout colour	Corresponding grout colour will be recommended by our design technicians based on surface colour and will be documented in the technical drawing supplied.

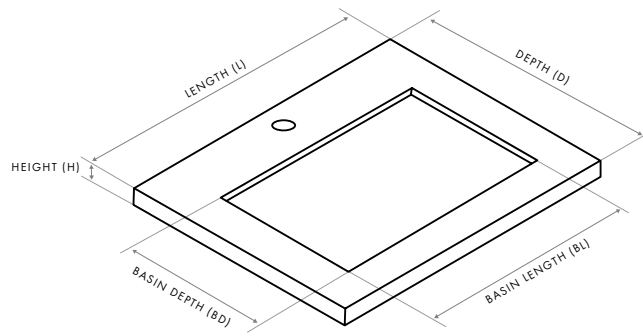
WASTE CONFIGURATION

No. of pre-drilled holes	[1] [2] @£20 per hole.
Position of waste holes	Please consult tap manufacturer's specification.
Diameter of waste holes	Please consult tap manufacturer's specification.
Distance b/w waste holes	For double basins only (each tap station typically 500 mm wide).

TAP CONFIGURATION

Tap mounting position	[Wall-mounted] [Deck-mounted] For deck-mounted installations, please provide the make and model of the chosen tap system.
No. of pre-drilled tap holes	[1] [2] [3] [4] @£20 per hole. Please consult tap manufacturer's specification.
Diameter of tap holes	We provide a standard diameter of 35 mm for all tap holes; however we can cut these to any size in order to accommodate your individual needs.
Distance b/w tap holes	Please consult tap manufacturer's specification.

TAILOR-MADE⁺



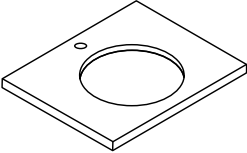
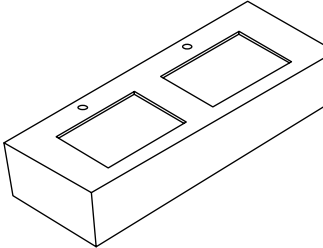
SPECIFICATION

Item	Vanity Top with Cut-out	
Description	Vanity top for drop-in basin	
Model	Vanity Top with Cut-out Junior	Vanity Top with Cut-out Max
Dimensions (mm) (tolerance ±2 mm)	Length (L): 600-1400 Height (H): 30-50 (Wall-mounted 100-400) Depth (D): 500-700	1401-2600 30-50 (Wall-mounted 100-400) 500-700
Base price	£1000.00 per linear metre	£950.00 per linear metre
Approximate weight	15-20 kg per m ²	20-25 kg per m ²

OPTIONS

Colour	TM ⁶ Collection (190 Colours)
Finish	[Natural] [Polished] [Honed] Availability dependant on chosen surface colour.
Grout colour	Corresponding grout colour will be recommended by our design technicians based on surface colour and will be documented in the technical drawing supplied.

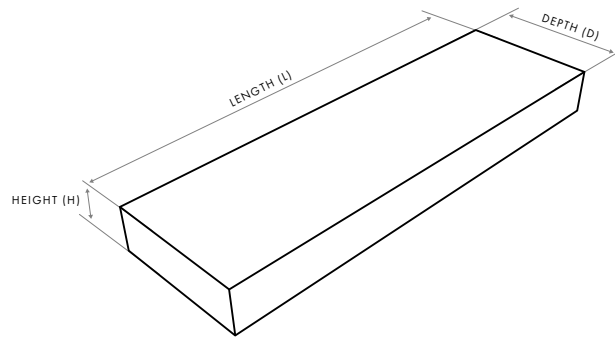
CONFIGURATION

Installation	[Surface-mounted]	[Wall-mounted]
		
Additional cost	N/A	£450.00 per linear metre
Shape of cut-outs	[Circular] [Ellipse] [Square] [Rectangular] Template to be provided by the client.	
Dimensions of cut-outs	[Length (BL) x Depth (BD)] Please consult basin manufacturer's specification.	
Manufacturer & model	Please consult basin manufacturer's specification.	
Fitting type	[Top-mounted] [Under-mounted]	

TAP CONFIGURATION

Tap mounting position	[Wall-mounted] [Deck-mounted] For deck-mounted installations, please provide the make and model of the chosen tap system.
No. of pre-drilled tap holes	[1] [2] [3] [4] @£20 per hole. Please consult tap manufacturer's specification.

TAILOR-MADE⁺



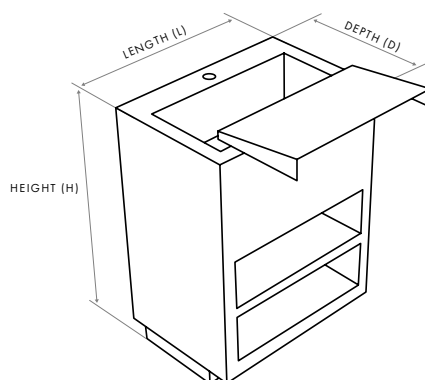
SPECIFICATION

Item	Vanity Shelf	
Description	Configurable wall-mounted vanity shelf	
Model	Vanity Shelf Junior	Vanity Shelf Max
Dimensions (mm) (tolerance ± 2 mm)	Length (L): 600-1400 Height (H): 50-200 Depth (D): 400-650	1401-2600 50-200 400-650
List price	£1,400.00 per linear metre	£1,200.00 per linear metre
Approximate weight	25 kg per linear metre	

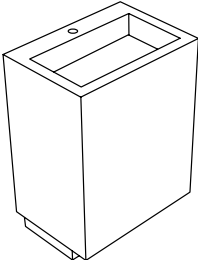
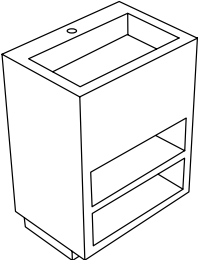
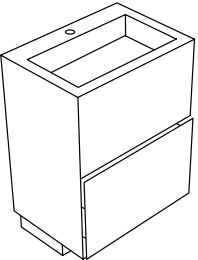
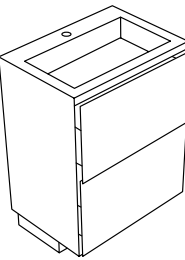
OPTIONS

Colour	TM ⁶ Collection (190 Colours)
Finish	[Natural] [Polished] [Honed] Availability dependant on chosen surface colour.
Grout colour	Corresponding grout colour will be recommended by our design technicians based on surface colour and will be documented in the technical drawing supplied.

TAILOR-MADE⁺



SPECIFICATION

Item	Venus			
Description	Free-standing single washbasin			
Base price	£3100.00			
Model	[No storage]	[Double stacked shelf] +£500.00	[Single drawer] +£1300.00	[Double stacked drawer] +£1900.00
				

Dimensions (mm) (tolerance ±2 mm)
 Length (L): 500-650 or 700-900 with drawers
 Height (H): 850-900
 Depth (D): 450-650 or 550-650 with drawers

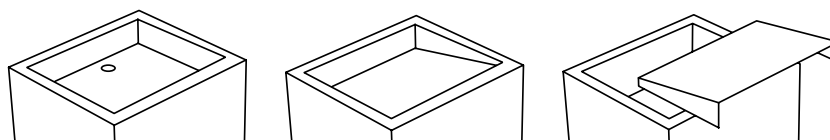
Approximate weight (will be confirmed)
 50 kg

OPTIONS

Colour	TM ⁶ Collection (190 Colours)
Finish	[Natural] [Polished] [Honed] Availability dependant on chosen surface colour.
Grout colour	Corresponding grout colour will be recommended by our design technicians based on surface colour and will be documented in the technical drawing supplied.
Position of access panel	[Rear] [Left side] [Right side]

CONFIGURATION

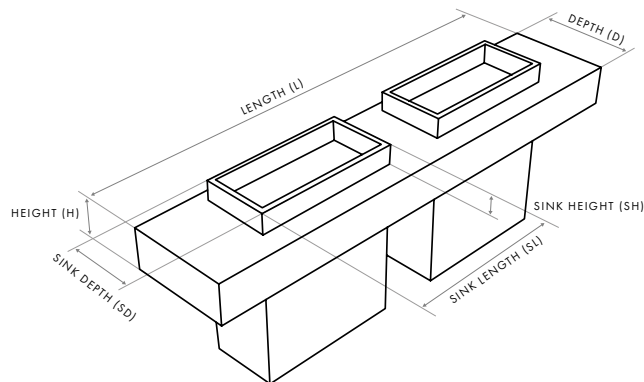
Base type	[Fixed straight base]	[Fixed sloping base]	[Removable base (+£80)]
------------------	-------------------------	------------------------	---------------------------



Waste	[Chrome (no cost)] [Black (+£80)] [Brass (+£80)]	Hidden waste	Hidden waste
--------------	---	--------------	--------------

Installation This unit should be installed with a flexible trap with a flexible waste pipe drain hose.

TAILOR-MADE⁺



SPECIFICATION

Item	Saturn
Description	Luxury free-standing double basin
Dimensions (mm) (tolerance ± 2 mm)	Length (L): 1800-2200 Height (H): 850-900 Depth (D): 500-650
Base price	£6200.00
Approximate weight (will be confirmed)	120-150 kg

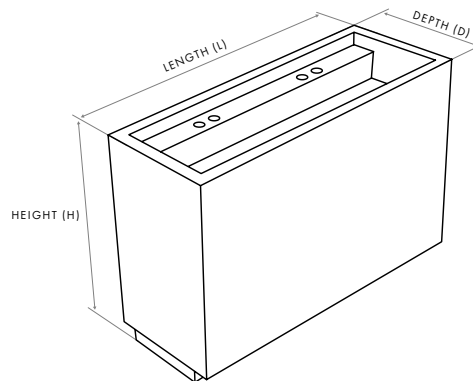
OPTIONS

Base & sink colour	TM ⁶ Collection (190 Colours)
Base & sink finish	[Natural] [Polished] [Honed] Availability dependant on chosen surface colour.
Vanity top colour	TM ⁶ Collection (190 Colours)
Vanity top finish	[Natural] [Polished] [Honed] Availability dependant on chosen surface colour.
Grout colour	Corresponding grout colour will be recommended by our design technicians based on surface colour and will be documented in the technical drawing supplied.

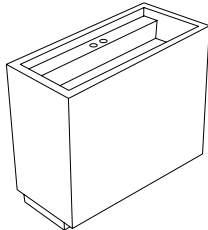
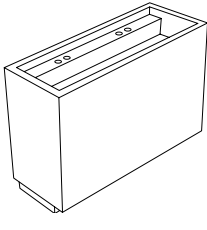
CONFIGURATION

Waste	[Chrome (no cost)] [Black (+£160)] [Brass (+£160)]
Tap mounting position	[Wall-mounted] [Deck-mounted] For deck-mounted installations, please provide the make and model of the chosen tap system.
No. of pre-drilled tap holes	[1] [2] [3] [4] @£20 per hole. Please consult tap manufacturer's specification.
Diameter of tap holes	We provide a standard diameter of 35 mm for all tap holes; however we can cut these to any size in order to accommodate your individual needs.
Distance b/w tap holes	Please consult tap manufacturer's specification.
Position of access panels	[Rear] [Side] (There is one access panel per sink unit)

TAILOR-MADE⁺



SPECIFICATION

Item	Mercury	
Description	Free-standing trough washbasin	
Model	Mercury Junior	Mercury Max
		
Dimensions (mm) (tolerance ±2 mm)	Length (L): 1200-1500 Height (H): 850-900 Depth (D): 450-650	1501-2200 850-900 450-650
Base price	£5000.00	£5800.00
Approximate weight (will be confirmed)	120-150 kg	150-200 kg

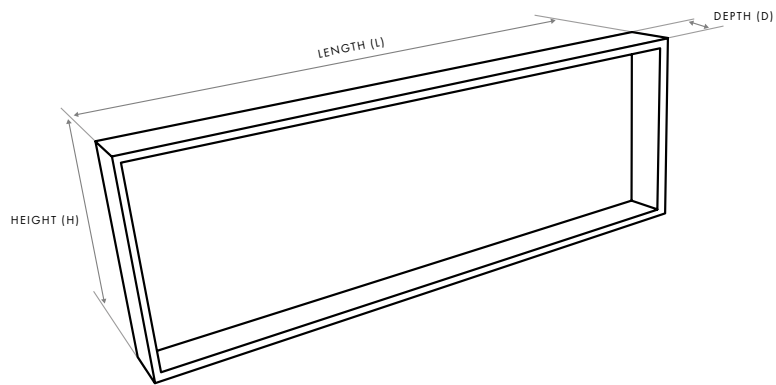
OPTIONS

Colour	TM ⁶ Collection (190 Colours)
Finish	[Natural] [Polished] [Honed] Availability dependant on chosen surface colour.
Grout colour	Corresponding grout colour will be recommended by our design technicians based on surface colour and will be documented in the technical drawing supplied.
Position of access panel	[Rear] [Sides] Two access panels are required for Mercury Double if access is from the sides.

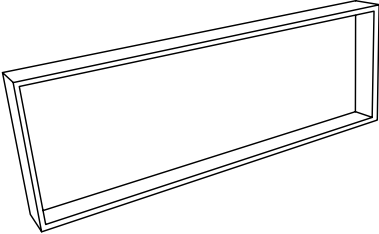
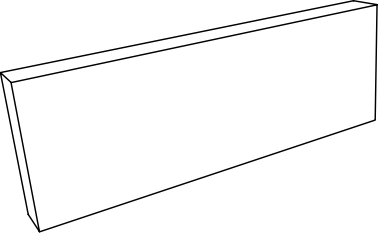
CONFIGURATION

Waste	[Chrome (no cost)] [Black (+£80)] [Brass (+£80)]
Tap mounting position	[Surface-mounted] Please provide the make and model of the chosen tap system.
No. of pre-drilled tap holes	[1] [2] [3] [4] @£20 per hole. Please consult tap manufacturer's specification.
Diameter of tap holes	We provide a standard diameter of 35 mm for all tap holes; however we can cut these to any size in order to accommodate your individual needs.
Distance b/w tap holes	Please consult tap manufacturer's specification.
Installation	This unit should be installed with a flexible trap with a flexible waste pipe drain hose.

TAILOR-MADE⁺



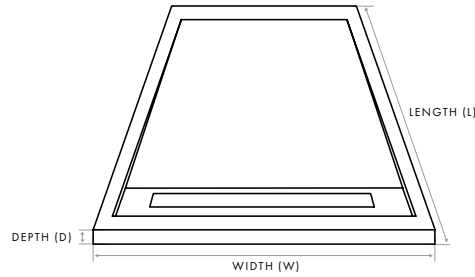
SPECIFICATION

Item	Bathroom Mirror	
Description	Three dimensional vanity mirror	
Model	Frame mounted	Flush mounted
		
Dimensions (mm) (tolerance ± 2 mm)	Length (L): 600-2000 Height (H): 650-1000 Depth (D): 100-200	600-2000 650-1000 50-150
List price	£2800.00	£2250.00
Approximate weight (will be confirmed)	50 kg	40 kg

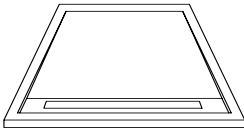
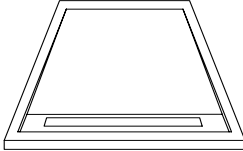
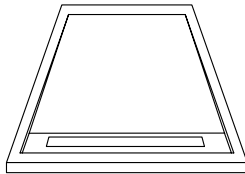
OPTIONS

Colour	TM ⁶ Collection (190 Colours)
Finish	[Natural] [Polished] [Honed] Availability dependant on chosen surface colour.
Grout colour	Corresponding grout colour will be recommended by our design technicians based on surface colour and will be documented in the technical drawing supplied.
Fixing type	[Wall Hanging] This unit is supplied with a Z Bar mirror hanger

TAILOR-MADE⁺



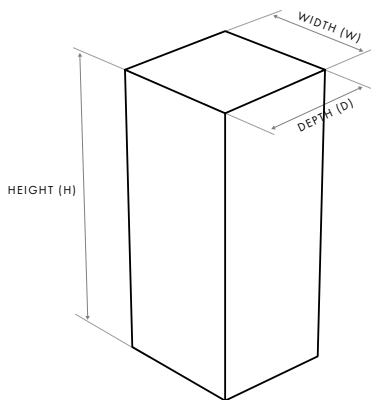
SPECIFICATION

Item	Shower Tray		
Description	Low profile tray with drainage system		
Model	SQ900	RECT1200	RECT1500
			
Dimensions (mm) (tolerance ±2 mm)	Length (L): 900 Width (W): 900 Depth (D): 70	Length (L): 1200 Width (W): 800 Depth (D): 70	Length (L): 1500 Width (W): 850 Depth (D): 70
List price	£1600.00	£2000.00	£2700.00
Approximate weight (will be confirmed)	20 kg	25 kg	30 kg

OPTIONS

Colour	TM ⁶ Collection (190 Colours)
Finish	[Natural] [Polished] [Honed] Availability dependant on chosen surface colour.
Grout colour	Corresponding grout colour will be recommended by our design technicians based on surface colour and will be documented in the technical drawing supplied.
Drainage	Supplied hidden drainage system

TAILOR-MADE⁺



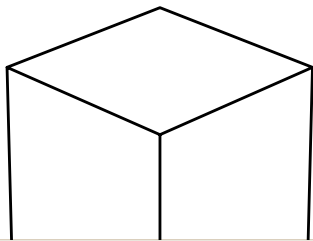
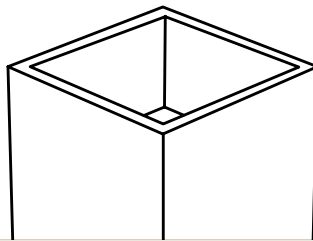
SPECIFICATION

Item	Quad		
Description	Four-sided rectangular plinth		
Model	Junior	Standard	Max
Dimensions (mm) (tolerance ±2 mm)	Height (H): 150-499 Width (W): 200-500 Depth (D): 200-500	500-700 300-500 300-500	701-1200 300-500 300-500
Base price	£800.00	£1000.00	£1200.00
Approximate weight (will be confirmed)	20 kg	30 kg	40 kg

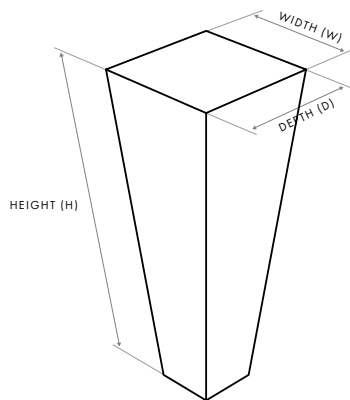
OPTIONS

Colour	TM ⁶ Collection (190 Colours)
Finish	[Natural] [Polished] [Honed] Availability dependant on chosen surface colour.
Grout colour	Corresponding grout colour will be recommended by our design technicians based on surface colour and will be documented in the technical drawing supplied.

TOP PLATE CONFIGURATION

Top plate	[Fixed]	[Planter]
		
Planter depth (mm)	N/A	80-200
Additional cost	N/A	£400.00

TAILOR-MADE⁺



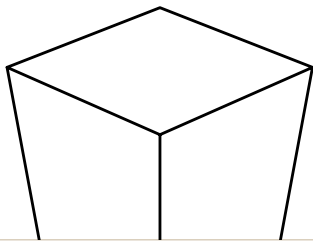
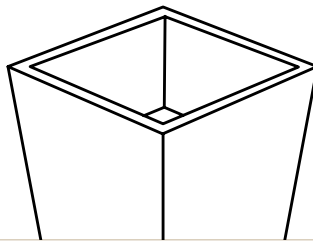
SPECIFICATION

Item	Cone		
Description	Four-sided cone plinth		
Model	Junior	Standard	Max
Dimensions (mm) (tolerance ±2 mm)	Height (H): 150-499 Width (W): 200-500 Depth (D): 200-500	500-700 300-500 300-500	701-1200 300-500 300-500
Base price	£800.00	£1000.00	£1200.00
Approximate weight (will be confirmed)	20 kg	30 kg	40 kg

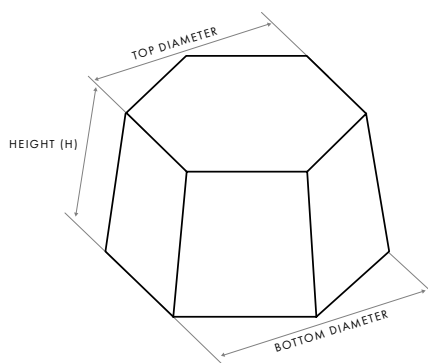
OPTIONS

Colour	TM ⁶ Collection (190 Colours)
Finish	[Natural] [Polished] [Honed] Availability dependant on chosen surface colour.
Grout colour	Corresponding grout colour will be recommended by our design technicians based on surface colour and will be documented in the technical drawing supplied.

TOP PLATE CONFIGURATION

Top plate	[Fixed]	[Planter]
		
Planter depth (mm)	N/A	80-200
Additional cost	N/A	£400.00

TAILOR-MADE⁺



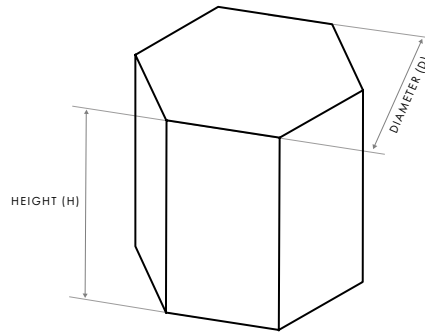
SPECIFICATION

Item	Tori
Description	Occasional seating unit
Dimensions (mm) (tolerance ± 2 mm)	Top Diameter: 650 Height (H): 450-600 Bottom Diameter: 800
List price	£1900.00
Approximate weight (will be confirmed)	40 kg

OPTIONS

Colour	TM⁶ Collection (190 Colours)
Finish	[Natural] [Polished] [Honed] Availability dependant on chosen surface colour.
Grout colour	Corresponding grout colour will be recommended by our design technicians based on surface colour and will be documented in the technical drawing supplied.

TAILOR-MADE⁺



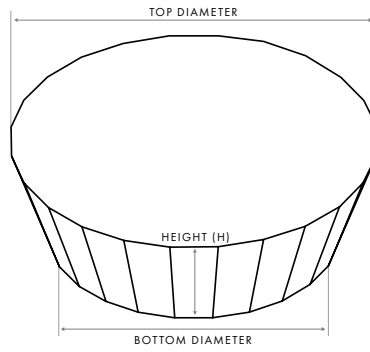
SPECIFICATION

Item	Hexa		
Description	Six-sided plinth		
Model	Junior	Standard	Max
Dimensions (mm) (tolerance ± 2 mm)	Height (H): 120-399 Diameter (D): 300-600	400-700 300-600	701-1200 300-600
List price	£1050.00	£1300.00	£1500.00
Approximate weight (will be confirmed)	20 kg	30 kg	40 kg

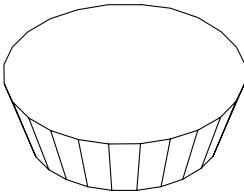
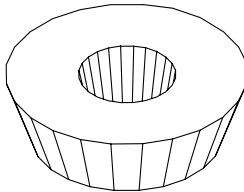
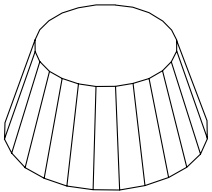
OPTIONS

Colour	TM ⁶ Collection (190 Colours)
Finish	[Natural] [Polished] [Honed] Availability dependant on chosen surface colour.
Grout colour	Corresponding grout colour will be recommended by our design technicians based on surface colour and will be documented in the technical drawing supplied.

TAILOR-MADE⁺



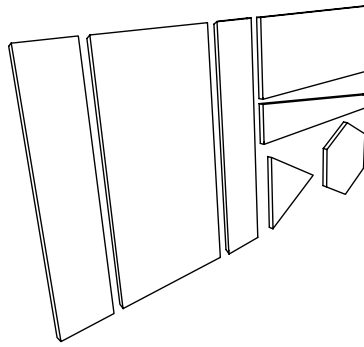
SPECIFICATION

Item	Polygon		
Description	24-sided low plinth		
Model	Maxime	Epoq	Dome
			
Dimensions (mm) (tolerance ±2 mm)	Height (H): 450-600 Top diameter: 1000-1500 Bottom diameter: 800-1200	450-600 1200-1500 1000-1200	450-600 450-650 650-950
List price	£5700.00	£6300.00	£3100.00
Approximate weight (will be confirmed)	60 kg	60 kg	60 kg

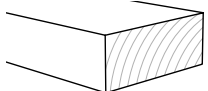
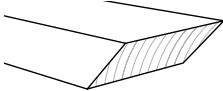
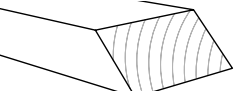
OPTIONS

Colour	TM ⁶ Collection (190 Colours)
Finish	[Natural] [Polished] [Honed] Availability dependant on chosen surface colour.
Grout colour	Corresponding grout colour will be recommended by our design technicians based on surface colour and will be documented in the technical drawing supplied.

TAILOR-MADE⁺

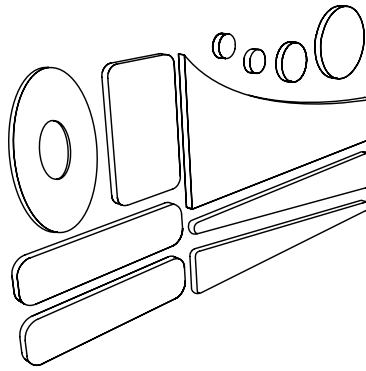


SPECIFICATION

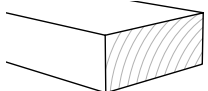
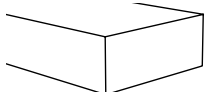

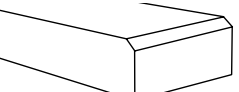



Item	Cut-to-size		
Description	Custom cut-to-size service		
List price	Material cost plus cutting cost		
Cutting rate	£25.00 per linear metre		
Colour	TM⁶ Collection (190 Colours)	TM¹² Collection (35 Colours)	TM²⁰ Collection (9 Colours)
Slab thickness	[6 mm]	[12 mm]	[20 mm]
Standard profiles (View more information)	[Unfinished]	[45° Mitred Edge]*	[-45° Internal Mitred Edge]*
			
Pricing explained	Total cost is calculated from the material cost plus cutting cost. Cutting is priced per linear metre. Material costs are shown here. Multiple pieces or cuts will be taken from a single slab where possible. The most cost-effective slab size will be selected for all orders. Please note that clients will be charged for the full cost of slab including any wastage. Pricing discounts will be formulated for bulk purchases. A set-up cost will be applied for short orders.		
Cut-to-size limitations	There are no limitations regarding the dimensions of a cut-out, provided that it can be cut from a single slab. Rectangular, triangular or any quadrilateral or multi-sided polygon can be specified. Accurate 45° mitred edges can be provided for fabrication projects and 3D cladding using the latest generation, high-performance Flow Mach 200 Waterjet cutting machine.		
Lead time	Cut-to-size services have a lead time of 1-4 weeks.		

*45° Deemed to be nominal

TAILOR-MADE⁺



SPECIFICATION

Item	Cut-to-shape		
Description	Custom shapes & profile service		
List price	Material cost plus cutting or edge profiling cost		
Cutting only rate	£25.00 per linear metre		
Colour	TM⁶ Collection (190 Colours)	TM¹² Collection (35 Colours)	TM²⁰ Collection (9 Colours)
Slab thickness	[6 mm]	[12 mm]	[20 mm]
Standard profile	[Unfinished]		
			
Cutting with profiling rate	£60.00 per linear metre		
Available profiles (View more information)	[Straight Edge]	[Pencil Edge]*	[Bevelled Edge]
			
	[Bullnose Edge]	[Half Bullnose Edge]	[Shark Nose Edge]*
			
Pricing explained	<p>Total cost is calculated from the material cost plus cutting and any edge profiling costs. Cutting and profiling are priced per linear metre. Material costs are shown here. Multiple pieces or cuts will be taken from a single slab where possible. The most cost-effective slab size will be selected for all orders. Please note that clients will be charged for the full cost of slab including any wastage. Pricing discounts will be formulated for bulk purchases. A set-up cost will be applied for short orders.</p>		
Cut-to-shape limitations	<p>There are no limitations regarding the complexity or dimensions of a shape, provided that it can be cut from a single slab. Using the latest Breton Contourbreton NC 300 Evo CNC and Flow Mach 200 Waterjet cutting machines we are able to cut, machine, hone and polish all custom shape requests to exact specifications. Intricate circular, square or irregular shapes can be requested, while cut-outs can be specified with rounded or sharp corners.</p>		

*Not available in TM⁶

TAILOR-MADE⁺

MATERIAL COSTS

TM⁶

(190 COLOURS WITH 6 MM THICKNESS) *

All prices are plus VAT @ 20%

	Dimensions	Surface finish	Price per m ²	Weight per m ²
Marble Slabs	300 x 150 cm	Natural	£189	14 kg
		Polished / Honed	£230	14 kg
	270 x 100 cm	Natural	£130	14 kg
		Polished / Honed	£148	14 kg
Stone Slabs	300 x 150 cm	Natural	£135	14 kg
		Polished / Honed	£208	14 kg
	300 x 100 cm	Polished	£140	14 kg
		Natural / Structured	£105	14 kg
150 x 150 cm	Natural	£129	14 kg	
Concrete Slabs	300 x 150 cm	Natural	£135	14 kg
	300 x 100 cm	Natural	£105	14 kg
	150 x 150 cm	Natural	£129	14 kg

TM¹²

(35 COLOURS WITH 12 MM THICKNESS) †

	Dimensions	Surface finish	Price per slab	Net weight
Marble slabs	328 x 154 cm	Natural	£1150	146 kg
		Polished / Honed	£1250	
	328 x 77 cm	Natural	£575	73 kg
		Polished / Honed	£625	
Stone slabs	328 x 154 cm	Natural	£900	146 kg
	328 x 77 cm	Natural	£450	73 kg
Concrete slabs	328 x 154 cm	Natural	£900	146 kg
	328 x 77 cm	Natural	£450	73 kg
Wood slabs	328 x 154 cm	Natural	£900	146 kg
	328 x 77 cm	Natural	£450	73 kg

TM²⁰

(9 COLOURS WITH 20 MM THICKNESS) †

	Dimensions	Surface finish	Price per slab	Net weight
Stone slabs	328 x 154 cm	Natural	£1250	227 kg
	328 x 77 cm	Natural	£625	114 kg
Concrete slabs	328 x 154 cm	Natural	£1250	227 kg
	328 x 77 cm	Natural	£625	114 kg
Marble Slabs	328 x 154 cm	Natural	£1300-1600	227 kg
	328 x 154 cm	Polished	£1650	227 kg
	328 x 77 cm	Natural	£650-800	114 kg
	328 x 77 cm	Polished / Honed	£825	114 kg

TM^{GRIP}

(17 COLOURS WITH 20 MM THICKNESS GRIP FINISH) *

	Dimensions	Surface finish	Price per m ²	Weight per m ²
Stone tiles	100 x 100 cm	Grip	£110	47 kg
	60 x 120 cm	Grip	£100	47 kg
Concrete tiles	100 x 100 cm	Grip	£110	47 kg
	60 x 120 cm	Grip	£100	47 kg

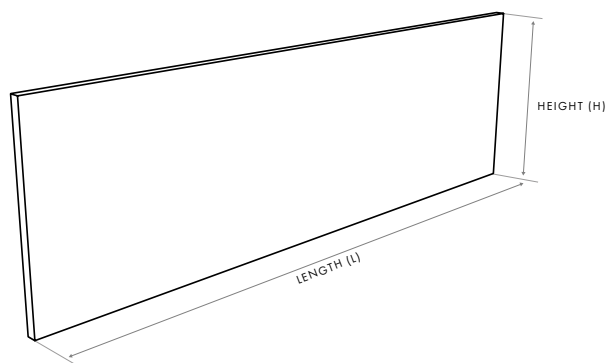
TAILOR-MADE⁺

CUSTOM ORDER REQUEST

Order type	[Cut-to-size][Cut-to-shape]		
Collection	TM ⁶ Collection (190 Colours) TM ¹² Collection (35 Colours) TM ²⁰ Collection (9 Colours)		
Thickness	[6 mm]	[12 mm]	[20 mm]
Colour	[]		
Piece 1	L x W [] x [] mm	Profile []	Qty []
Piece 2	L x W [] x [] mm	Profile []	Qty []
Piece 3	L x W [] x [] mm	Profile []	Qty []
Piece 4	L x W [] x [] mm	Profile []	Qty []
Piece 5	L x W [] x [] mm	Profile []	Qty []
Piece 6	L x W [] x [] mm	Profile []	Qty []
Piece 7	L x W [] x [] mm	Profile []	Qty []
Piece 8	L x W [] x [] mm	Profile []	Qty []
Piece 9	L x W [] x [] mm	Profile []	Qty []
Piece 10	L x W [] x [] mm	Profile []	Qty []

Order type	[Cut-to-size][Cut-to-shape]		
Collection	TM ⁶ Collection (190 Colours) TM ¹² Collection (35 Colours) TM ²⁰ Collection (9 Colours)		
Thickness	[6 mm]	[12 mm]	[20 mm]
Colour	[]		
Piece 1	L x W [] x [] mm	Profile []	Qty []
Piece 2	L x W [] x [] mm	Profile []	Qty []
Piece 3	L x W [] x [] mm	Profile []	Qty []
Piece 4	L x W [] x [] mm	Profile []	Qty []
Piece 5	L x W [] x [] mm	Profile []	Qty []
Piece 6	L x W [] x [] mm	Profile []	Qty []
Piece 7	L x W [] x [] mm	Profile []	Qty []
Piece 8	L x W [] x [] mm	Profile []	Qty []
Piece 9	L x W [] x [] mm	Profile []	Qty []
Piece 10	L x W [] x [] mm	Profile []	Qty []

TAILOR-MADE⁺



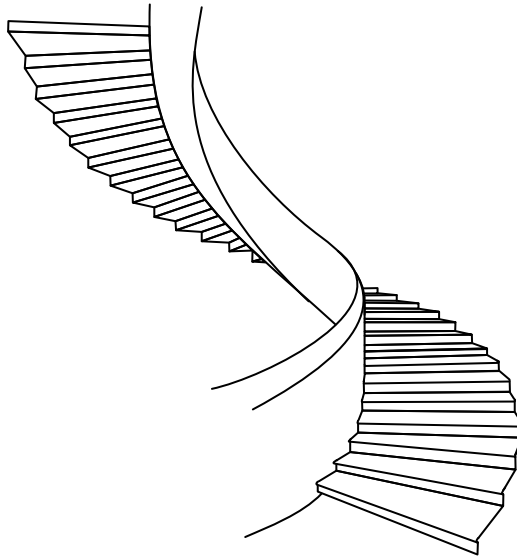
SPECIFICATION

Item	Kitchen Splashback/Upstand	
Description	Custom size splashback or upstand	
Colour	TM⁶ Collection (190 Colours)	TM¹² Collection (35 Colours)
Priced by	Per linear metre	Per linear metre
List price	Height ≤ 750 mm @ £200.00 Height > 750 mm @ £380.00	Height ≤ 750 mm @ £250.00 Height > 750 mm @ £475.00
Shape	Any shape splashback possible at no extra cost.	
Finish	[Natural] [Polished] [Honed] Availability dependant on chosen surface colour.	
Dimensions (mm)	Length (L): ∞ (max 3000 per run) Height (H): ∞ (max 1500 per run)	∞ (max 3280 per run) ∞ (max 1540 per run)
Approximate weight (will be confirmed)	14 kg per m ²	32 kg per m ²

OPTIONS

Electrical socket cut-out	[£25.00 per cut-out]
----------------------------------	------------------------

TAILOR-MADE⁺



SPECIFICATION

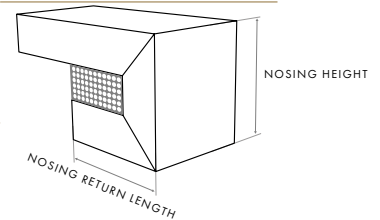
Item	Nosing Steps
Description	Configurable tread nosing

OPTIONS

Colour	Choose from TM⁶ , TM¹² , TM²⁰ or TM^{GRIP} Collections
Finish	[Natural] [Polished] [Honed] [Grip] Availability dependant on chosen surface colour.
Riser	[Required] [Not required]
Tread grooves	[0] [1] [2] [3] [4] [5] [6]
Dimensions	[Tread length] [Going] [Rise] [Pitch angle] Templates for steps to be supplied by client.

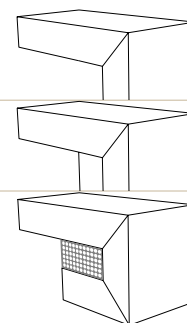
NOSING RESTRICTIONS

	TM⁶	TM¹²	TM²⁰	TM^{GRIP}
Min nosing height	30 mm	40 mm	40 mm	40 mm
Min nosing return length (if applicable)	20 mm	20 mm	N/A	N/A



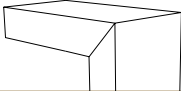
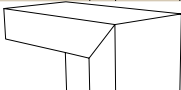
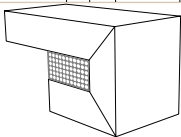
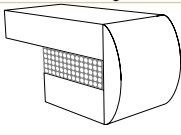
TM⁶ PRICING (190 COLOURS)

	Going < 400 mm	Going ≥ 400 mm
Mitred Apron Nosing	£125 per linear metre	£145 per linear metre
Laminated Mitred Apron Nosing	£130 per linear metre	£150 per linear metre
Mitred Apron Return Nosing	£135 per linear metre	£155 per linear metre
Price premium (per linear metre)	Marble (Polished) £65.00 Marble (Honed) £65.00 Marble (Natural) £45.00 Stone (Polished) £15.00	Marble (Polished) £95.00 Marble (Honed) £95.00 Marble (Natural) £65.00 Stone (Polished) £30.00

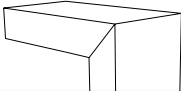
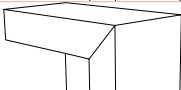
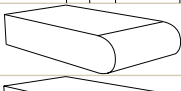




TAILOR-MADE⁺

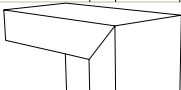
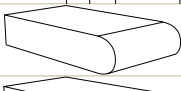
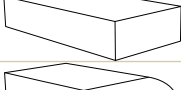

TM¹² PRICING (35 COLOURS)

	Going < 400 mm	Going ≥ 400 mm	
Mitred Apron Nosing	£180 per linear metre	£220 per linear metre	
Laminated Mitred Apron Nosing	£185 per linear metre	£225 per linear metre	
Mitred Apron Return Nosing	£190 per linear metre	£230 per linear metre	
Bullnose Apron Return Nosing	£190 per linear metre	£230 per linear metre	
Price premium (per linear metre)	Marble (Polished) £20.00 Marble (Natural) £10.00	Marble (Polished) £70.00 Marble (Natural) £60.00	

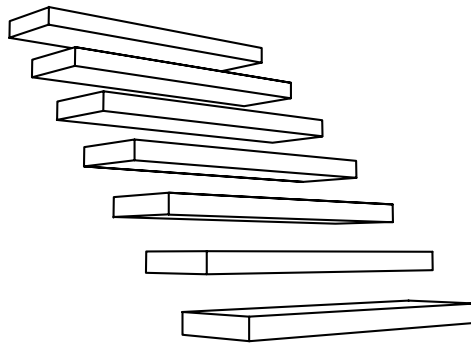
TM²⁰ PRICING (9 COLOURS)

	Going < 400 mm	Going ≥ 400 mm	
Mitred Apron Nosing	£220 per linear metre	£290 per linear metre	
Laminated Mitred Apron Nosing	£225 per linear metre	£295 per linear metre	
Bullnose Edge Nosing	£215 per linear metre	£285 per linear metre	
Straight Edge Nosing	£200 per linear metre	£270 per linear metre	
Half Bullnose Edge Nosing	£215 per linear metre	£285 per linear metre	

TM^{GRIP} PRICING (17 COLOURS)

	Going < 295 mm	Going ≥ 295 mm	
Mitred Apron Nosing	£100 per linear metre	£130 per linear metre	
Laminated Mitred Apron Nosing	£105 per linear metre	£135 per linear metre	
Bullnose Edge Nosing	£95 per linear metre	£125 per linear metre	
Straight Edge Nosing	£80 per linear metre	£110 per linear metre	
Half Bullnose Edge Nosing	£95 per linear metre	£125 per linear metre	

TAILOR-MADE⁺



SPECIFICATION

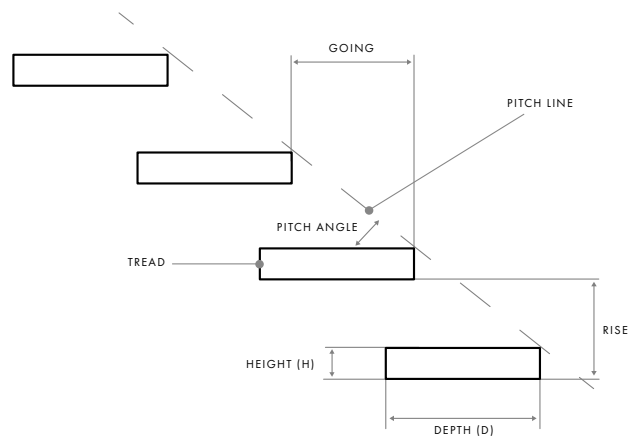
Item	Floating Treads
Description	Custom tread cladding
System	Please note that we do not supply the structure of your floating or cantilevered staircase. The uprights and brackets should be provided by your stair manufacturer. We then clad each step tread with the colour of your choice.
List price	Price on application.

OPTIONS

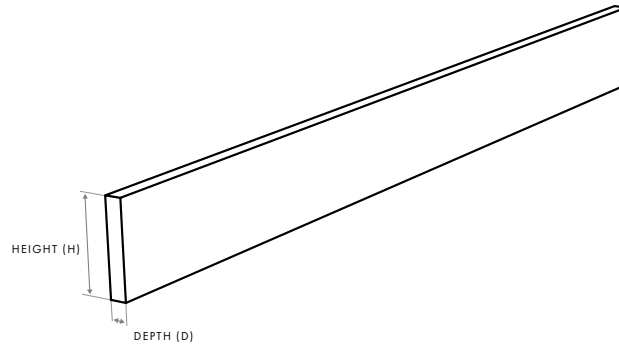
Colour	TM ⁶ Collection (190 Colours)
Finish	[Polished] [Natural] [Honed] Availability dependant on chosen surface colour.

CONFIGURATION

Profile	Mitred
Dimensions	[Tread Length] [Tread Height] [Tread Depth] [Going] [Rise] [Pitch Angle] To be supplied by client
No. of steps	[]



TAILOR-MADE⁺



SPECIFICATION

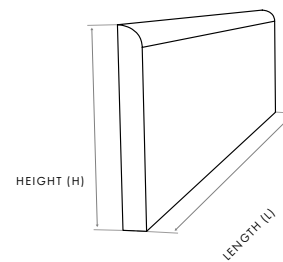
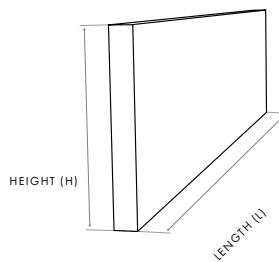
Item	Skirting	
Description	Configurable skirting board	
Model	Height (H): 60-120 mm	Height (H): 120-250 mm
List price	£30.00 per linear metre	£45.00 per linear metre
Length (mm) (tolerance ±2 mm)	Length (L): ∞ (max 3000 per run)	

OPTIONS

Colour	TM ⁶ Collection (190 Colours)
Finish	[Natural] [Polished] [Honed] Availability dependant on chosen surface colour & depth.
Depth	[6 mm] Availability dependant on chosen surface colour and finish

SKIRTING CONFIGURATION

Height	[]
Length (Linear metres)	[]
Profile	[Polished Straight Edge] [Half Bullnose]



TAILOR-MADE⁺

COMPOSITE STRUCTURE

Wall-mounted basins Wall-mounted basins are manufactured with a water-resistant and durable aluminium honeycomb core supported by aluminium angles. This structure is then expertly cladded with the selected surface and bonded with durable adhesives and Epoxy resins. The wall-hung unit is attached to the supporting wall with the supplied fixings brackets and the waste system can be accessed from below the item. We do not supply fixing screws, bolts, waste traps, tap connectors or any plumbing components.

Free-standing basins Free-standing basins are constructed with a marine-grade plywood core and feature a removable panel for accessing the waste system. Depending on the installation location this access panel can be specified on the rear or on the side of the basin. The access panel is secured with magnetic fastenings. Finally the base incorporates a concealed 'shadow gap' for manoeuvring the item once plumbed in. Some of the basins are offered with a configurable sink base. This base can be fixed, sloping or removable. With the fixed base sink the waste is visible. The sloping base option is fixed and water flows into a thin channel opening at the bottom edge, and then into a hidden waste. On some models the direction of this slope is configurable. The removable base can be removed for cleaning and water flows through channels around the parameter of the base, into a fixed base sink and visible waste system.

Basin waste Water flows into an unseen INOX steel sink bowl with a pre-installed 1 1/4" unslotted click clack basin waste. If this waste is visible it can be specified with a chrome, black or brass finish, otherwise we supply a premium chrome waste.

Wall-hung vanity tops & shelving Wall-hung vanity tops and shelving are constructed with a wood core. In the case of bathroom vanity tops this will be water-resistant marine-grade plywood. Fixing plugs are provided for secure wall-hanging. This structure is then cladded with the selected surface and bonded with durable adhesives and Epoxy resins. Edges are formed with accurate mitred joints.

Vanity tops with cut-outs Vanity tops with cut-outs are constructed with a water-resistant and durable aluminium honeycomb core. This structure is then cladded with the selected surface and bonded with durable adhesives and Epoxy resins. The structured edges are formed with accurate mitred joints.

Kitchen countertops Kitchen countertops are fabricated with porcelain stoneware from our TM⁶, TM¹² and TM²⁰ Collections. These innovative materials have been engineered particularly for the rigours of the kitchen environment. Cut-outs for basins, taps or hobs can be cut and draining grooves can be machined with our Breton Contourbreton NC300 Evo 4-axis high-precision CNC machine. Solid worktops with a thickness of 12 or 20 mm are available and can be specified with a choice of edge profiles. Standard countertops, islands and waterfall islands are constructed with an apron edge. All countertops require level and secure support every 600 mm, around the perimeter frame, under any joints and around cut-outs.

Wall-hung breakfast bars & kitchen shelving Wall-hung breakfast bars and kitchen shelving are constructed with a wood structural core. Fixing plugs are provided for secure wall-hanging. This structure is then cladded with the selected surface and bonded with durable adhesives and Epoxy resins. Edges are formed with accurate mitred joints. Two options are available for the angle of the front face of the breakfast bar or shelving.

Seating and plinths Seating and plinths incorporate a wooden frame which is clad with Italian porcelain and edges are formed with accurate mitred joints.

TAILOR-MADE⁺

ADDITIONAL INFORMATION

Liability	Please note that we cannot be held responsible for the structural and plumbing aspects of installation. We therefore accept no liability for damage to the item during installation. We strongly recommend choosing a reputable and qualified professional for installation of this item. Two people may be required to safely handle and install this item.
Preparation	<ul style="list-style-type: none">• Due to the considerable weight of TAILOR-MADE⁺ items, when wall-mounting the wall or support structure to which it will be fixed must be checked and verified by a structural engineer. The installation should only commence once supporting walls meet the necessary standards.• When wall-mounting ensure that all electrical works, wall plumbing and pipe works have been carried out prior to installation.• Only once the fixing brackets have been securely mounted, should tiles be fixed to the wall.
Fixings & plumbing	<p>Due to the countless fixing options and wall types used within building works, we do not supply fixing screws, bolts, waste traps, tap connectors or any plumbing components with our items.</p> <ul style="list-style-type: none">• If your item is to be wall-mounted, two or more wall fixing brackets will be supplied depending on the length of the item.• If fixing screws are required for this item, the specification for these fixings will be documented in the technical drawing supplied.• Floor standing basins are supplied with a removable panel for accessing the waste system. Depending on the installation requirements this panel can be on the rear or side of the basin.• All basins are supplied with a pre-installed 1 1/4" basin waste sealed with silicon. If this waste is visible it will feature an unslotted click clack waste system which can be specified with a chrome, black or brass finish. Details will be documented in the supplied technical drawing.• For fixed base and hidden waste basins, water flows through a thin channel into an unseen INOX steel sink bowl and waste system, accessible from underneath the item.
Basin position	When deciding on the location of basins and taps, ensure to take into account the thickness of the sink and tap fixings to ensure adequate clearance. Typically basins and vanity tops should be installed at a height of 85 cm. Consider a distance of 100-120 mm between the wall-mounted taps and the basin.
Taps	Please note that we do not supply taps. If the tap configuration specified is deck-mounted, the item will come with pre-drilled tap holes to the spacing specifications provided during the order process. We provide a standard diameter of 35 mm for all tap holes; however we can cut these to any size in order to accommodate your individual needs. There are many different sizes available on the market so please consult tap manufacturer's specification.

NOTES

Order process	Clients are encouraged to discuss their project with our TAILOR-MADE⁺ consultants. We have a highly trained team of architects, engineers and account managers who will provide assistance through the entire process. This includes documenting your design, configuring options, confirming sizes and arranging delivery. Once the technical requirements for the project have been documented, our CAD technicians will prepare a technical drawing of the item for your signed approval. As soon as approval has been received and payment has been arranged, manufacturing will commence at our state-of-the-art UK studio.
Lead time	Lead time depends entirely on the type of service requested. Cut-to-size and cut-to-shape services have a lead time of 1-4 weeks. Countertops are 4-6 weeks, while bespoke basins, furniture and other fabricated items have a lead time of 6-10 weeks from payment confirmation and receipt of signed technical drawing.
Delivery & packaging	Delivery & packaging cost will depend on the size and weight of the item and delivery postcode. The final cost will be communicated during your order confirmation. Each item is individually packed in a custom built enclosure using 4" x 2" timber. These enclosures ensure that stress and flex is not transferred to the item during transport. The enclosure is then wrapped in chipboard and finally sealed in plastic.
Disclaimer	Please note that while every effort will be made to supply goods to the size and colour specified, due to the handmade nature of these items, slight variations may occur. We adhere to a dimensional tolerance limit of $\pm 0.3\%$. It is also impossible to choose a specific graphical face or area of the tile and its location within the item. Where sizes are specified by the customer these are assumed to be the total dimensions to be made including any fixtures or fittings. © All rights reserved. V.21.160

AUTHORISED PARTNERS