

TAILOR-MADE⁺

KITCHEN PRODUCT DATA SHEETS

TAILOR-MADE⁺

KITCHEN

Kitchen Countertop

Standard kitchen worktop

Kitchen Island Countertop

Island worktop with overhang

Kitchen Island Waterfall

Island worktop with waterfall

Kitchen Solid Countertop

12 mm & 20 mm solid worktop

Countertop configurable options

Cut-outs, integrated sinks & tap holes

Kitchen Breakfast Bar

Wall-mounted breakfast bar

Kitchen Shelf

Wall-mounted configurable shelf unit

Tableware

Luxury serving tray & coaster set

ADDITIONAL INFORMATION

Composite Structure

Fabrication information

Product

Preparation, fixing & plumbing

Ordering

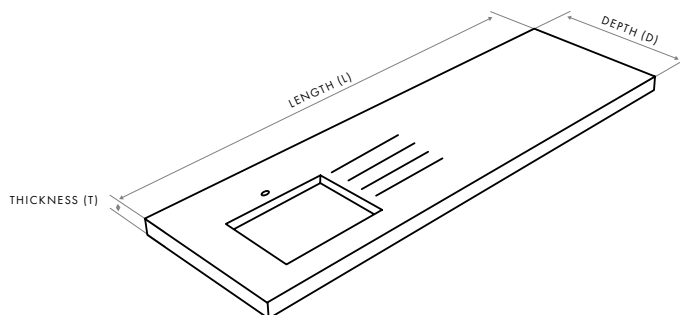
Process & lead time

CONTACT

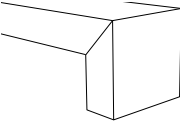
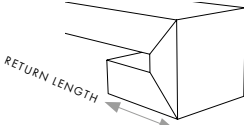
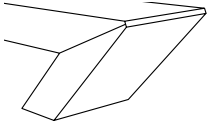
Contact Details

Contact us for more information

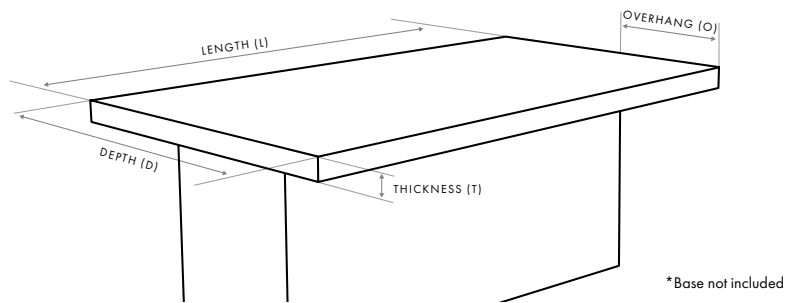
TAILOR-MADE⁺



SPECIFICATION

Item	Kitchen Countertop		
Description	Standard kitchen worktop		
Colour	TM⁶ Collection (190 Colours)	TM¹² Collection (35 Colours)	TM²⁰ Collection (9 Colours)
Base price	£640.00 per linear metre	£720.00 per linear metre	£800.00 per linear metre
Price premium (per linear metre)	Stone (Polished) £80.00 Marble (Natural) £80.00 Marble (Polished) £120.00 Marble (Honed) £120.00	Marble (Natural) £80.00 Marble (Polished) £120.00 Marble (Honed) £120.00	Marble (Natural) £120.00 Marble (Polished) £170.00
Approximate weight	26 kg per m ²	40 kg per m ²	56 kg per m ²
Finish	[Natural][Polished][Honed] Availability dependant on chosen surface colour.		
Length (L)	Length (L): ∞ (Lengths > 3000 mm will have a joint)		
Depth (D)	400-650 mm		
Thickness (T)	[30 mm][40 mm][Custom thickness > 40 mm]		
Edge profiles	This countertop is supplied as standard with its front edge finished with a Mitred Apron Return. The Mitred Apron Return and Shark Nose Apron edges are available from 40 mm thickness upwards. Profiles for the side edges can be specified at £80.00 per side.		
Thickness ≥ 30 mm	[Mitred Apron]		
			
Additional cost	N/A		
Thickness ≥ 40 mm	[Mitred Apron Return] *	[Shark Nose Apron]	
			* Minimum return length 20 mm
Additional cost	£40.00 per linear metre	£80.00 per linear metre	
Finished sides	[1 Side] +£80.00	[2 sides] +£160.00	
Installation type	Standard kitchen countertops require level and secure support every 600 mm, around the perimeter frame, under any joints and around cut-outs. Please specify installation type.		
Configurable options	For configurable options including cut-outs, integrated sinks and tap holes please see page 11.		

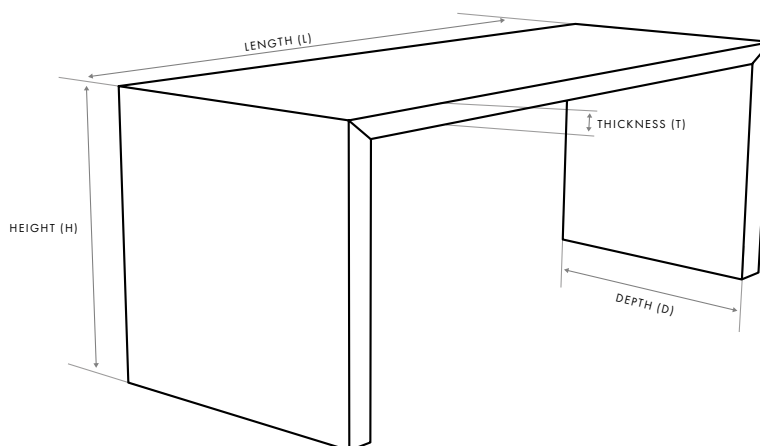
TAILOR-MADE⁺



SPECIFICATION

Item	Kitchen Island Countertop	
Description	Island worktop with overhang	
Colour	TM⁶ Collection (190 Colours)	TM¹² Collection (35 Colours)
Base price	£1440.00 per m ²	£1440.00 per m ²
Price premium (per m²)	Marble (Natural) £100.00 Marble (Polished) £200.00 Marble (Honed) £200.00	Marble (Natural) £200.00 Marble (Polished) £400.00 Marble (Honed) £400.00
Approximate weight	26 kg per m ²	40 kg per m ²
Finish	[Natural][Polished][Honed] Availability dependant on chosen surface colour.	
Length (L)	∞ (maximum of 2900 mm per run with vein matching on each end or 3000 mm without. Lengths > 3000 mm will have a joint)	
Depth (D)	[Custom depth] (Depths > 1500 mm will have a joint)	
Thickness (T)	[≥ 40 mm]	
Overhang (O)	[≤ 700 mm] Available on all four sides.	
Edge profile	Mitred edge. All four sides are finished as well as the underside of any overhangs.	
Configurable options	For configurable options including cut-outs, integrated sinks and tap holes please see page 11.	

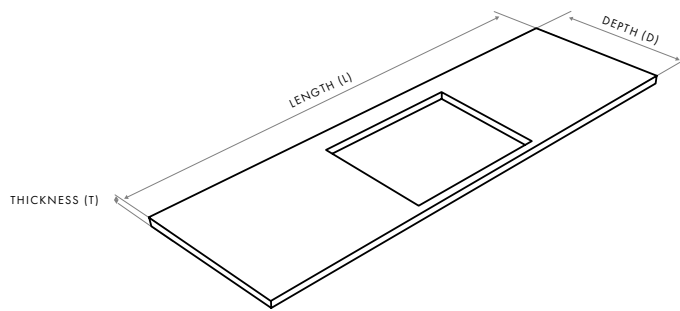
TAILOR-MADE⁺



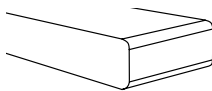

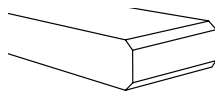


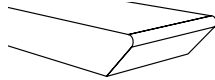
SPECIFICATION

Item	Kitchen Island Waterfall	
Description	Island worktop with waterfall	
Colour	TM⁶ Collection (190 Colours)	TM¹² Collection (35 Colours)
Base price	£1600.00 per m ²	£1760.00 per m ²
Price premium (per m²)	Marble (Natural) £100.00 Marble (Polished) £200.00 Marble (Honed) £200.00	Marble (Natural) £200.00 Marble (Polished) £400.00 Marble (Honed) £400.00
Approximate weight	26 kg per m ²	40 kg per m ²
Finish	[Natural][Polished][Honed] Availability dependant on chosen surface colour.	
Length (L)	[Custom length] (Lengths > 3000 mm will have a joint)	
Depth (D)	[Custom depth] (Depths > 1500 mm will have a joint)	
Height (H)	[910 mm][Custom height]	
Thickness (T)	[≥ 40 mm]	
Legs	[1][2]	
Edge profile	Mitred edge. All sides and all surfaces are finished, including the underside.	
Configurable options	For configurable options including cut-outs, integrated sinks and tap holes please see page 11.	

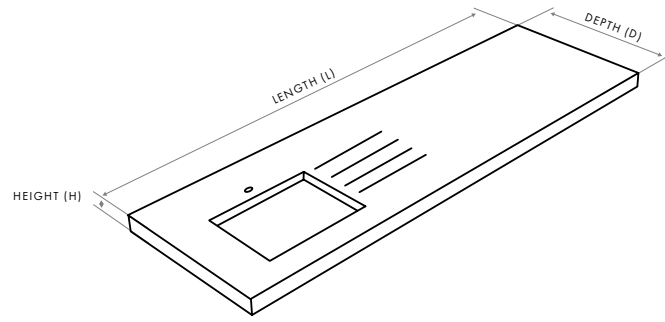
TAILOR-MADE⁺



SPECIFICATION

Item	Kitchen Solid Countertop		
Description	12 mm & 20 mm solid worktop		
Colour	TM¹² Collection (35 Colours)	TM²⁰ Collection (9 Colours)	
Base price	£340.00 per linear metre	£440.00 per linear metre	
Price premium (per linear metre)	Marble (Natural) £80.00 Marble (Polished) £120.00 Marble (Honed) £120.00	Marble (Natural) £120.00 Marble (Polished) £200.00	
Thickness (T)	[12 mm]	[20 mm]	
Approximate weight	40 kg per m ²	56 kg per m ²	
Finish	[Natural][Polished][Honed] Availability dependant on chosen surface colour.		
Length (L)	∞ (max 3200 mm per run)		
Depth (D)	400-650 mm [Custom depth]		
Edge profiles	This countertop is supplied as standard with its front edge profiled. Profiles for side and rear edges can also be specified.		
	[Double Pencil Edge]	[Bevelled Edge]	[Double Bevelled Edge]
			
	[Bullnose Edge]	[Half Bullnose Edge]	[Shark Nose Edge]
			
Finished sides	[1 Side] +£40.00	[2 sides] +£80.00	[Rear] +£80.00 per linear metre
Configurable options	For configurable options including cut-outs, integrated sinks and tap holes please see page 11.		

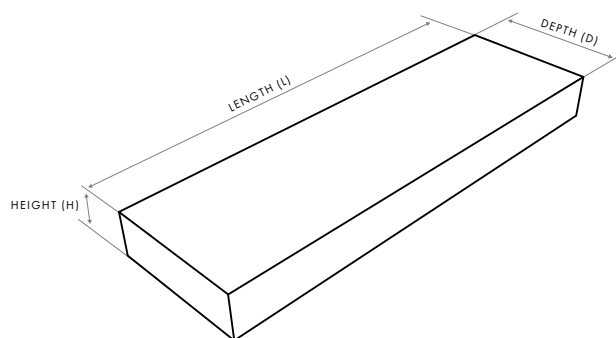
TAILOR-MADE⁺



COUNTERTOP CONFIGURABLE OPTIONS

Cut-outs	[No cut-outs]	[Sink cut-out]	[Hob cut-out]
Additional cost	N/A	£80.00 per cut-out	£80.00 per cut-out
No. of cut-outs	[0][1][2][3]		
Dimensions of cut-outs	[Length (BL) x Depth (BD)] Please consult sink or hob manufacturer's specification.		
Options	[Drainer grooves]	[Integrated sink]	[Integrated sink w/drainer]
Additional cost	£120.00	£800.00	£1120.00
No. of drainer grooves	[0][4][5][6]		
No. of pre-drilled tap holes	[1][2][3][4] @ £20.00 per tap hole		
Diameter of tap holes	We provide a standard diameter of 35 mm for all tap holes; however we can cut these to any size in order to accommodate your individual needs. Please consult tap specification.		
Distance b/w tap holes	Please consult tap manufacturer's specification.		

TAILOR-MADE ⁺



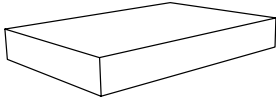
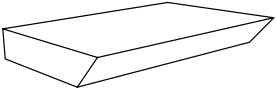
SPECIFICATION

Item	Kitchen Breakfast Bar
Description	Wall-mounted breakfast bar
Dimensions (mm)	Length (L): 700-3000 Height (H): 50-100 Depth (D): 300-600
List price	£1150.00 per linear metre
Approximate weight (will be confirmed)	20-30 kg per linear metre

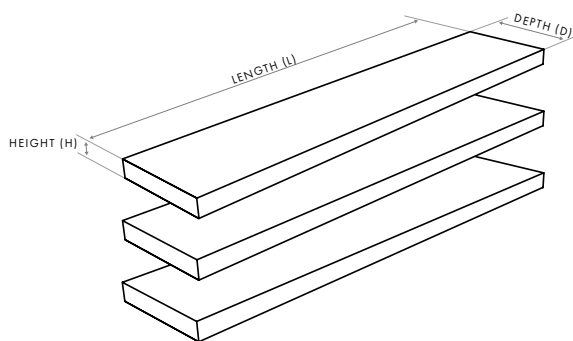
OPTIONS

Colour	TM⁶ Collection (190 Colours)	TM¹² Collection (35 Colours)
Finish	[Natural] [Polished] [Honed] Availability dependant on chosen surface colour.	
Profile	This item is supplied with a Mitred edge.	
Grout colour	Corresponding grout colour will be recommended by our design technicians based on surface colour and will be documented in the technical drawing supplied.	

FRONT FACE CONFIGURATION

Front face	[Vertical]	[Decline]
		
Front face angle	[90°]	[45°] [67.5°]

TAILOR-MADE⁺



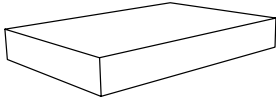
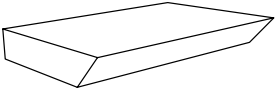
SPECIFICATION

Item	Kitchen Shelf	
Description	Wall-mounted configurable shelf unit	
Colour	TM⁶ Collection (190 Colours)	TM¹² Collection (35 Colours)
Finish	[Natural] [Polished] [Honed] Availability dependant on chosen surface colour.	
List price	£700.00 per linear metre	£800.00 per linear metre
Dimensions (mm) (tolerance ±2 mm)	Length (L): 700-3000 Height (H): 30-50 Depth (D): 200-350	
Approximate weight (will be confirmed)	15 kg per linear metre	

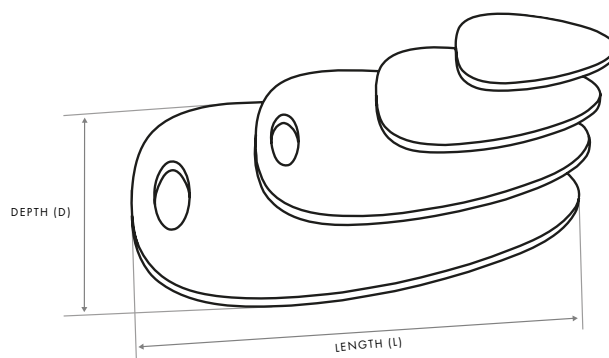
OPTIONS

Profile	This item is supplied with a Mitred edge.	
Grout colour	Corresponding grout colour will be recommended by our design technicians based on surface colour and will be documented in the technical drawing supplied.	
No. of shelves	[0] [1] [2] [3] [4] [5] [6] []	





FRONT FACE CONFIGURATION

Front face	[Vertical]	[Decline]
		
Front face angle	[90°]	[45°] [67.5°]

TAILOR-MADE⁺



SPECIFICATION

Item	Tableware			
Description	Luxury serving tray & coaster set			
Model	Coaster	Small Tray	Medium Tray	Large Tray
				
Product code	TABLEWARE-COAST	TABLEWARE-TRYSML	TABLEWARE-TRYMED	TABLEWARE-TRYLRG
Dimensions (mm) (tolerance ±2 mm)	Length (L): 120 Depth (D): 90	200 145	300 217	400 290
List price	Set of four @ £160.00	£60.00 ea.	£90.00 ea.	£120.00 ea.
Approximate weight (will be confirmed)	0.25 kg	0.45 kg	0.55 kg	0.65 kg
Thickness	6 mm			
Tableware 12 piece set	(4 coasters, 4 small, 2 medium, 2 large) £560.00 (Product Code: TABLEWARE-12PCS)			
Tableware 24 piece set	(6 coasters, 6 small, 6 medium, 6 large) £1400.00 (Product Code: TABLEWARE-24PCS)			

OPTIONS

Colour	TM ⁶ Collection (190 Colours)
Finish	[Natural] [Polished] [Honed] Availability dependant on chosen surface colour.
Bottom face	Rubber pad

TAILOR-MADE⁺

COMPOSITE STRUCTURE

Wall-mounted basins Wall-mounted basins are manufactured with a water-resistant and durable aluminium honeycomb core supported by aluminium angles. This structure is then expertly cladded with the selected surface and bonded with durable adhesives and Epoxy resins. The wall-hung unit is attached to the supporting wall with the supplied fixings brackets and the waste system can be accessed from below the item. We do not supply fixing screws, bolts, waste traps, tap connectors or any plumbing components.

Free-standing basins Free-standing basins are constructed with a marine-grade plywood core and feature a removable panel for accessing the waste system. Depending on the installation location this access panel can be specified on the rear or on the side of the basin. The access panel is secured with magnetic fastenings. Finally the base incorporates a concealed 'shadow gap' for manoeuvring the item once plumbed in.

Some of the basins are offered with a configurable sink base. This base can be fixed, sloping or removable. With the fixed base sink the waste is visible. The sloping base option is fixed and water flows into a thin channel opening at the bottom edge, and then into a hidden waste. On some models the direction of this slope is configurable. The removable base can be removed for cleaning and water flows through channels around the parameter of the base, into a fixed base sink and visible waste system.

Basin waste Water flows into an unseen INOX steel sink bowl with a pre-installed 1 1/4" unslotted click clack basin waste. If this waste is visible it can be specified with a chrome, black or brass finish, otherwise we supply a premium chrome waste.

Wall-hung vanity tops & shelving Wall-hung vanity tops and shelving are constructed with a wood core. In the case of bathroom vanity tops this will be water-resistant marine-grade plywood. Fixing plugs are provided for secure wall-hanging. This structure is then cladded with the selected surface and bonded with durable adhesives and Epoxy resins. Edges are formed with accurate mitred joints.

Vanity tops with cut-outs Vanity tops with cut-outs are constructed with a water-resistant and durable aluminium honeycomb core. This structure is then cladded with the selected surface and bonded with durable adhesives and Epoxy resins. The structured edges are formed with accurate mitred joints.

Kitchen countertops Kitchen countertops are fabricated with porcelain stoneware from our TM⁶, TM¹² and TM²⁰ Collections. These innovative materials have been engineered particularly for the rigours of the kitchen environment. Cut-outs for basins, taps or hobs can be cut and draining grooves can be machined with our Breton Contourbreton NC300 Evo 4-axis high-precision CNC machine. Solid worktops with a thickness of 12 or 20 mm are available and can be specified with a choice of edge profiles. Standard countertops, islands and waterfall islands are constructed with an apron edge. All countertops require level and secure support every 600 mm, around the perimeter frame, under any joints and around cut-outs.

Wall-hung breakfast bars & kitchen shelving Wall-hung breakfast bars and kitchen shelving are constructed with a wood structural core. Fixing plugs are provided for secure wall-hanging. This structure is then cladded with the selected surface and bonded with durable adhesives and Epoxy resins. Edges are formed with accurate mitred joints. Two options are available for the angle of the front face of the breakfast bar or shelving.

Seating and plinths Seating and plinths incorporate a wooden frame which is clad with Italian porcelain and edges are formed with accurate mitred joints.

TAILOR-MADE⁺

ADDITIONAL INFORMATION

Liability	Please note that we cannot be held responsible for the structural and plumbing aspects of installation. We therefore accept no liability for damage to the item during installation. We strongly recommend choosing a reputable and qualified professional for installation of this item. Two people may be required to safely handle and install this item.
Preparation	<ul style="list-style-type: none">• Due to the considerable weight of TAILOR-MADE⁺ items, when wall-mounting the wall or support structure to which it will be fixed must be checked and verified by a structural engineer. The installation should only commence once supporting walls meet the necessary standards.• When wall-mounting ensure that all electrical works, wall plumbing and pipe works have been carried out prior to installation.• Only once the fixing brackets have been securely mounted, should tiles be fixed to the wall.
Fixings & plumbing	<p>Due to the countless fixing options and wall types used within building works, we do not supply fixing screws, bolts, waste traps, tap connectors or any plumbing components with our items.</p> <ul style="list-style-type: none">• If your item is to be wall-mounted, two or more wall fixing brackets will be supplied depending on the length of the item.• If fixing screws are required for this item, the specification for these fixings will be documented in the technical drawing supplied.• Floor standing basins are supplied with a removable panel for accessing the waste system. Depending on the installation requirements this panel can be on the rear or side of the basin.• All basins are supplied with a pre-installed 1 1/4" basin waste sealed with silicon. If this waste is visible it will feature an unslotted click clack waste system which can be specified with a chrome, black or brass finish. Details will be documented in the supplied technical drawing.• For fixed base and hidden waste basins, water flows through a thin channel into an unseen INOX steel sink bowl and waste system, accessible from underneath the item.
Basin position	When deciding on the location of basins and taps, ensure to take into account the thickness of the sink and tap fixings to ensure adequate clearance. Typically basins and vanity tops should be installed at a height of 85 cm. Consider a distance of 100-120 mm between the wall-mounted taps and the basin.
Taps	Please note that we do not supply taps. If the tap configuration specified is deck-mounted, the item will come with pre-drilled tap holes to the spacing specifications provided during the order process. We provide a standard diameter of 35 mm for all tap holes; however we can cut these to any size in order to accommodate your individual needs. There are many different sizes available on the market so please consult tap manufacturer's specification.

NOTES

Order process	Clients are encouraged to discuss their project with our TAILOR-MADE⁺ consultants. We have a highly trained team of architects, engineers and account managers who will provide assistance through the entire process. This includes documenting your design, configuring options, confirming sizes and arranging delivery. Once the technical requirements for the project have been documented, our CAD technicians will prepare a technical drawing of the item for your signed approval. As soon as approval has been received and payment has been arranged, manufacturing will commence at our state-of-the-art UK studio.
Lead time	Lead time depends entirely on the type of service requested. Cut-to-size and cut-to-shape services have a lead time of 1-4 weeks. Countertops are 4-6 weeks, while bespoke basins, furniture and other fabricated items have a lead time of 6-10 weeks from payment confirmation and receipt of signed technical drawing.
Delivery & packaging	Delivery & packaging cost will depend on the size and weight of the item and delivery postcode. The final cost will be communicated during your order confirmation. Each item is individually packed in a custom built enclosure using 4" x 2" timber. These enclosures ensure that stress and flex is not transferred to the item during transport. The enclosure is then wrapped in chipboard and finally sealed in plastic.
Disclaimer	Please note that while every effort will be made to supply goods to the size and colour specified, due to the handmade nature of these items, slight variations may occur. We adhere to a dimensional tolerance limit of $\pm 0.3\%$. It is also impossible to choose a specific graphical face or area of the tile and its location within the item. Where sizes are specified by the customer these are assumed to be the total dimensions to be made including any fixtures or fittings. © All rights reserved. V.21.158

AUTHORISED PARTNERS