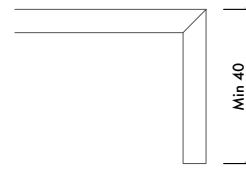
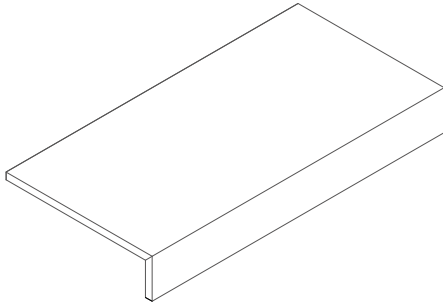
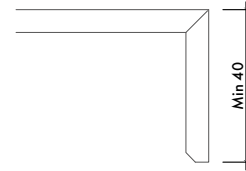
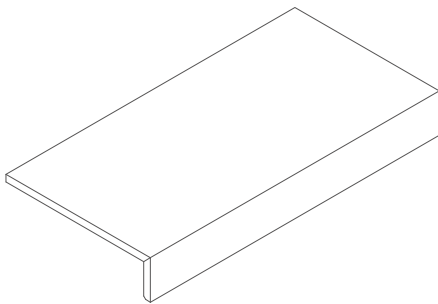


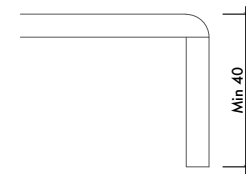
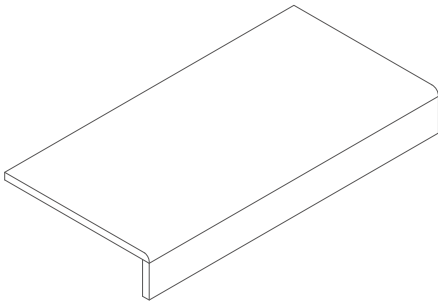
MITRED L SHAPE 45°



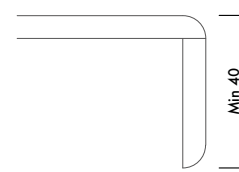
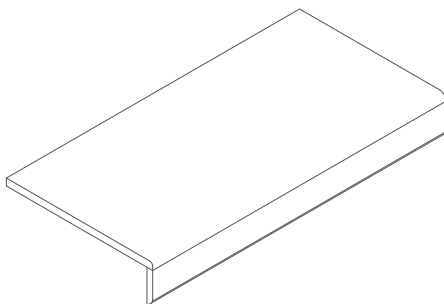
MITRED L SHAPE 45° WITH DRIPSTONE



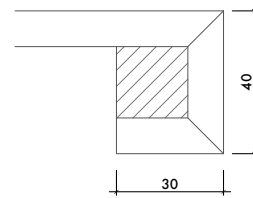
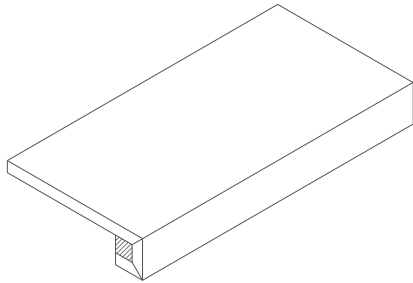
L SHAPE WITH HALF BULLNOSE



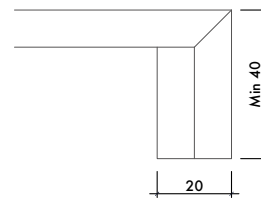
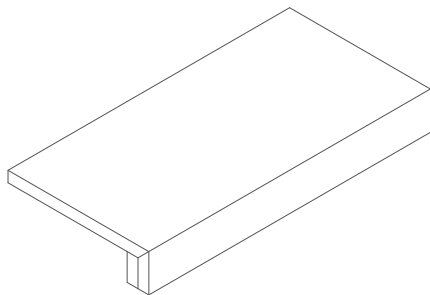
L SHAPE WITH DOUBLE HALF BULLNOSE



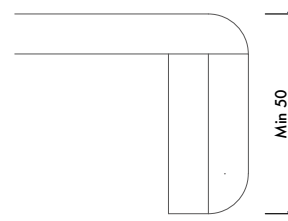
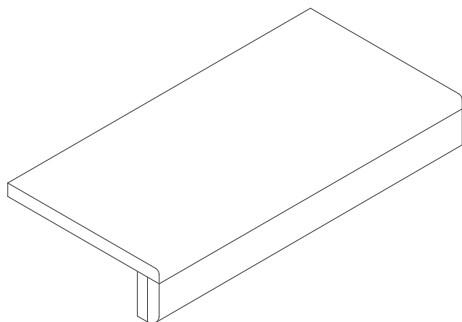
STRAIGHT NOSE



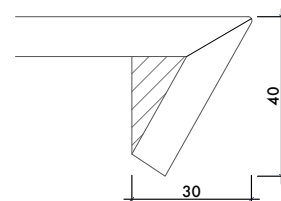
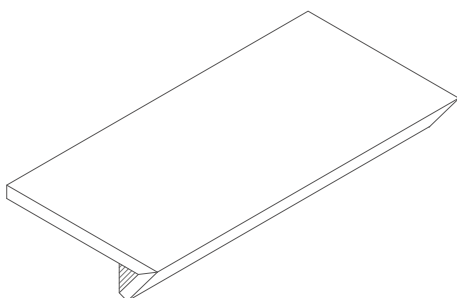
STRAIGHT NOSE WITH DOUBLE SLAT



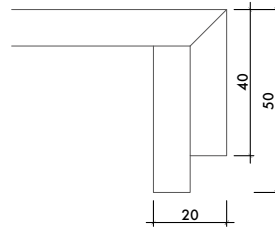
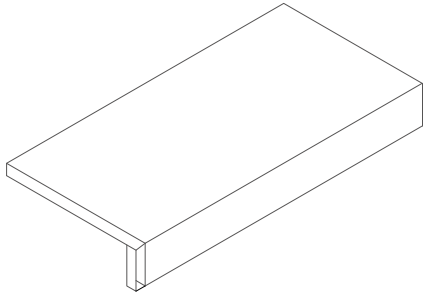
STRAIGHT NOSE WITH DOUBLE HALF BULLNOSE



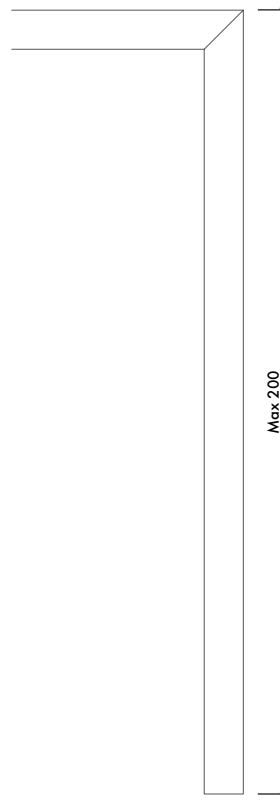
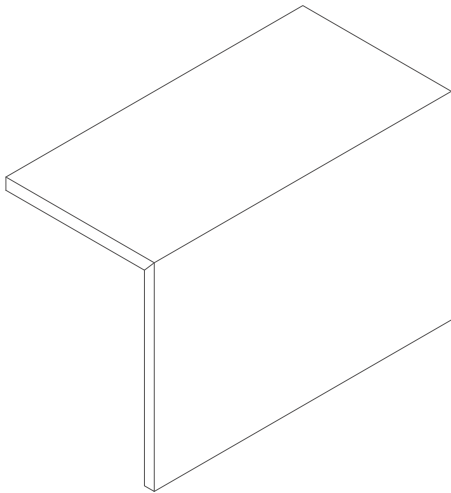
OBLIQUE NOSE



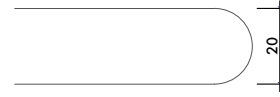
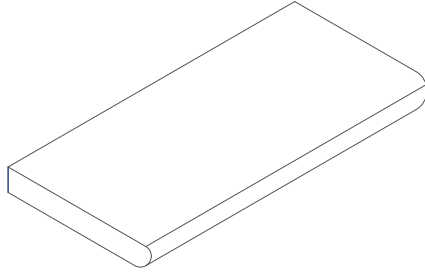
DOUBLE STRAIGHT NOSE



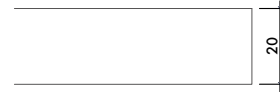
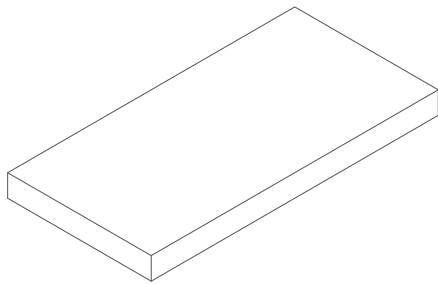
TREAD AND RISER



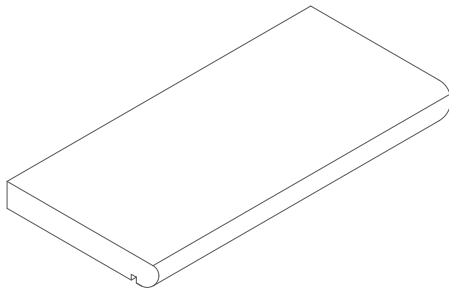
20MM BULLNOSE



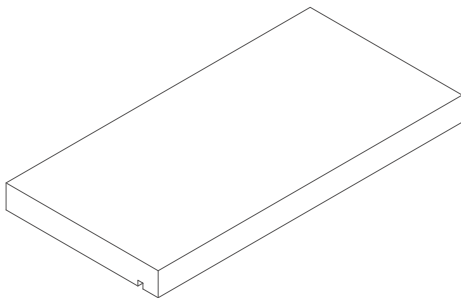
20MM POLISHED NOSE



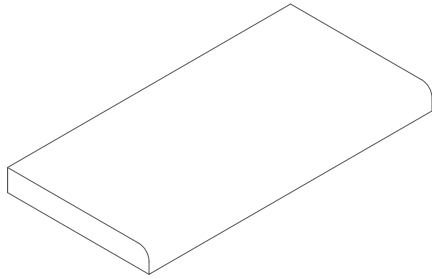
20MM POLISHED BULLNOSE WITH DRIPSTONE



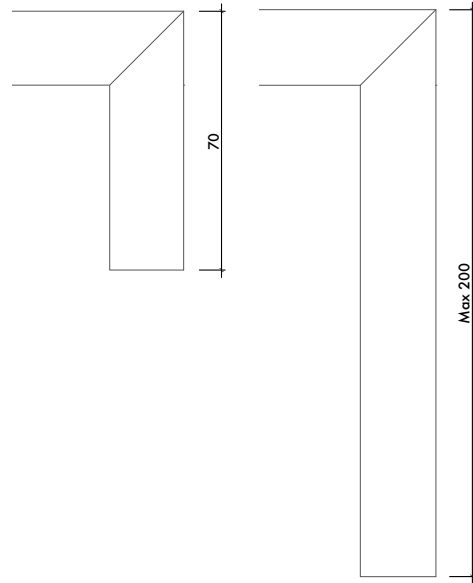
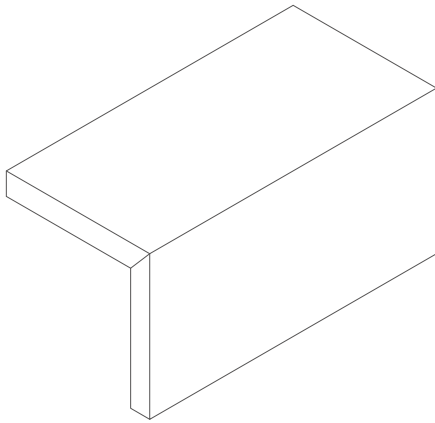
20MM POLISHED NOSE WITH DRIPSTONE



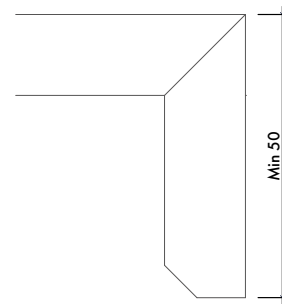
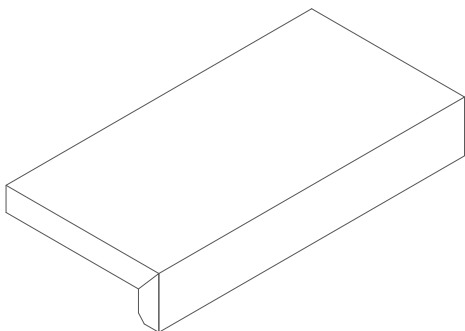
20MM HALF BULLNOSE



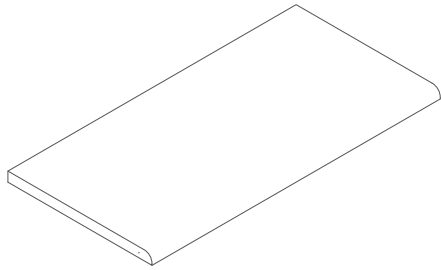
20MM MITRED L SHAPE 45°



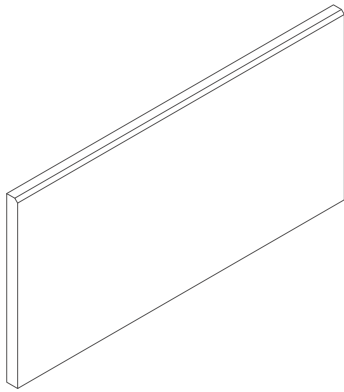
20MM MITRED L SHAPE 45° WITH DRIPSTONE



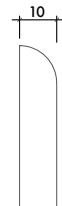
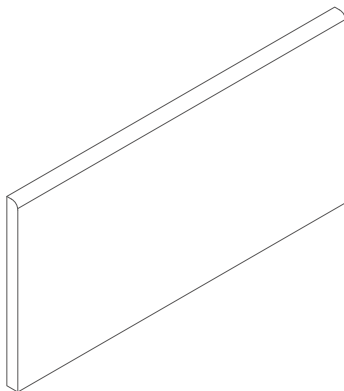
HALF BULLNOSE



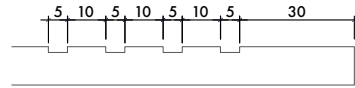
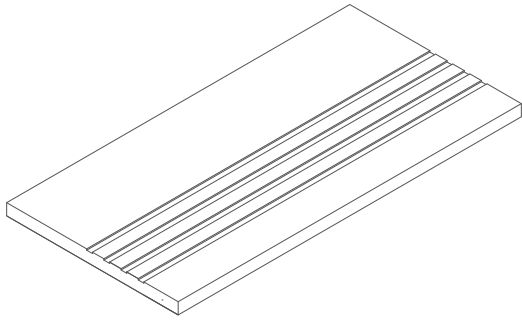
BEVELLED SKIRTING



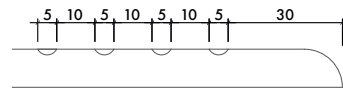
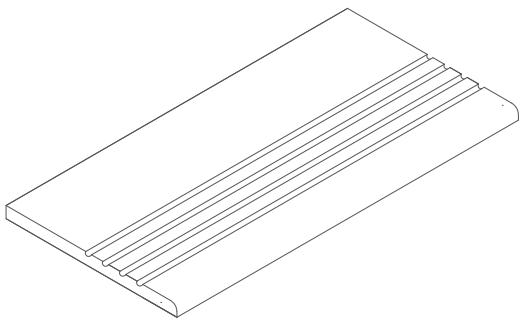
HALF BULLNOSE SKIRTING



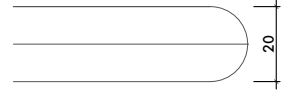
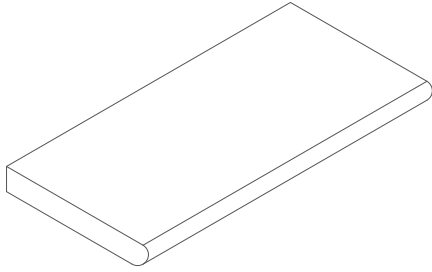
ANTI-SLIP GROOVES (3, 4 OR 5 GROOVES PER STEP)



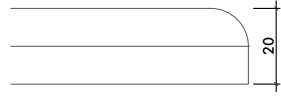
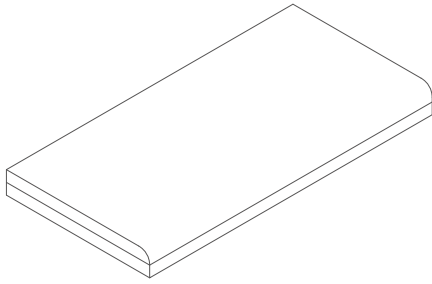
ANTI-SLIP GROOVES WITH HALFBULL NOSE



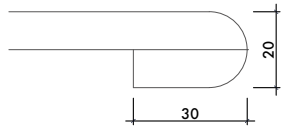
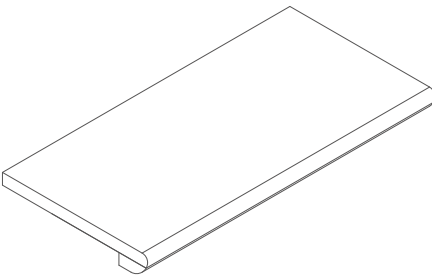
BULLNOSE ON DOUBLE TILE



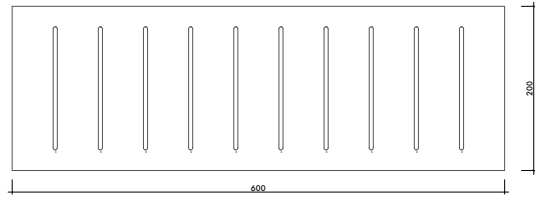
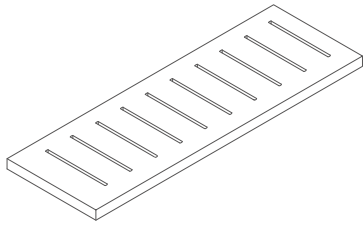
HALF BULLNOSE ON DOUBLE TILE



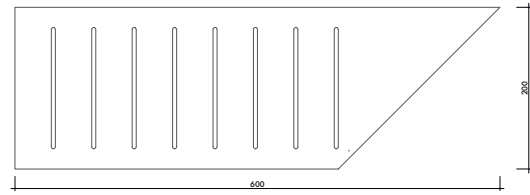
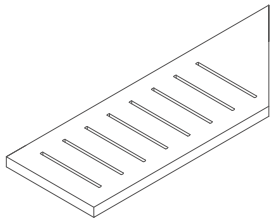
BULLNOSE ON PARTIAL DOUBLE TILE



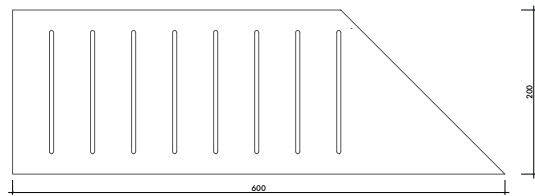
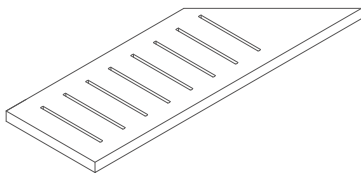
STRAIGHT EDGE 20MM



LEFT CORNER 20MM



RIGHT CORNER 20MM



CONTACT

North London Showroom
23 Temple Fortune Parade
Finchley Road
London NW11 0QS
020 3141 3337

South London Showroom
88 High Street Wimbledon
London SW19 5EG
020 3141 3337

enquiry@porcelaintiles.co.uk
porcelaintiles.co.uk

This information should be considered to be informal and non-binding. The products must be used according to local conditions and materials. Manufacturers instructions must be read carefully and followed closely. Always test the products in an inconspicuous area. We cannot accept any responsibility for reliance placed upon the advice contained herein since practical expertise and site conditions are outside of our control. Neither do we accept liability for the performance of the product arising from such use. This does not affect your statutory rights. The company reserves the right to modify, change, or cancel the content of this document without prior notice. The technical details mentioned cancel and replace the ones reported previously and where dimensions or sizes are specified, they shall be deemed to be nominal. The images, colours and finishes featured are for illustrative purposes only and may feature products that are not currently available.

©Porcelain Tiles Ltd – All rights reserved. V.22.304